

RIGID ALUMINUM CONDUIT, NIPPLES, ELBOWS, & COUPLINGS
STAINLESS STEEL CONDUIT, EGN'S & FITTINGS
EMT ELBOWS
GALVANIZED RIGID ELBOWS, NIPPLES, & COUPLINGS

ELECTRICAL CONDUIT PRODUCTS
2024

Table of Contents

- American Manufacturing Page 3
- The Patriot Story Page 4
- The Patriot Team.....Page 5
- Three Factories..... Pages 6-7
- Patriot’s ProductsPage 8
- Advanced CNC ManufacturingPage 9
- Trademark PackagingPage 10
- QuickSilver™..... Page 11
- Patriot Blue™ Page 12
- Training Support Page 13
- Customer Events & Promotions Page 14
- Product & Company Videos Page 15
- Galvanized Rigid & EMT Conduit Fittings Pages 16-24
- Stainless Steel Rigid Conduit & Fittings Pages 25-53
- Rigid Aluminum Conduit & Fittings Page 54
 - Typical Applications of Rigid Aluminum ConduitPage 55
 - Rigid Aluminum versus Rigid Steel Page 56
 - Cost Savings CalculatorPage 57
 - Green Advantages of Aluminum..... Page 58
 - Manufacturer’s CertificationPage 59
 - Specification Notes for Engineers Page 60
 - Product Submittal Sheets & Specifications Pages 61-68
 - Conduit Weight Chart
 - Typical Installation Practices

Galvanized / EMT

Stainless Steel

Aluminum

Galvanized / EMT

Stainless Steel

Aluminum

ALUMINUM	 US LISTED ERM C - A ALUMINUM E337297 H	PATRIOT INDUSTRIES 1" RIGID METAL CONDUIT  8 5 1 4 2 2 0 0 3 0 2 1 CONSULT MFG FOR PROPER INSTALLATION © 2023 PATRIOTSAS.COM ~ (434) 510-1776	 NSF COMPONENT	 MADE IN USA HOUSTON TX
----------	---	---	--	---



American Manufacturing

There was a time when America was synonymous with manufacturing, with production, with innovation. Hardworking, earnest people made good quality products, had good paying jobs, and our businesses flourished.

Then suddenly, the Industrial Revolution that helped shape our Nation packed up and went into early retirement. Unemployment went up, quality went down, GDP growth slowed, and an entire segment of our economy effectively hit the “pause” button.

Well, today is a new day.

A growing number of American companies are starting to bring production back to our shores...and Patriot is proud to be counted among that group. We are very proud to be an American Manufacturer, and we are very proud to support the US Military Veterans in our workforce.

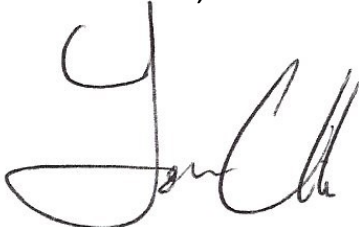
Our Rigid Aluminum Conduit is 100% American Made ~ the shells, the couplings, the caps, and even our labels all come from American companies. Our shells come from extrusion dies we own, are completely produced in America, and are processed on our high speed equipment.

Patriot is still the only American Owned & Operated Family Business producing the full lines of Rigid Aluminum & Rigid Stainless Steel Conduit, Nipples, Elbows, and Couplings, as well as EMT & GRC Nipples and Elbows. All Made in our one of our 3 Factories in Louisa & Chester Virginia, and Houston Texas.

While most of our orders ship next day from Virginia, we also maintain inventories in Atlanta, Boston, Chicago, Detroit, Houston, Jackson MS, Louisville KY, New Orleans, North Carolina, Richmond VA, and Tampa FL. Simply stated, Patriot’s goal is to provide **A Better Conduit Experience™**.

There is a new Industrial Revolution starting in America,
thank you for joining us in it.

All the best,



Tom Click
President & CEO



tom.click@patriotsas.com
Cell – 434-825-2652

The Patriot Story

Patriot was founded in 2010 by Tom & Sarah Click. Like many American Manufacturing startups, Patriot's beginnings were small and focused. Launching right after the Great Recession, the original business consisted of:

Tom Click + 1,000 Square Feet of Leased Space + 1 Hand Threading Machine

After finalizing the business plan, and finding a banker who knew what pipe was, Tom & Sarah pulled money out of their 401ks to complete the initial funding. It was a big risk, and it paid off.

By the end of 2010, Patriot had it's first Landis Double End Threading Machine. From the very beginning, Patriot was committed to the "[Traditional Values of American Manufacturing](#)" i.e., producing the absolute best quality and providing unmatched service and flexibility, all while maintaining a competitive price. Adherence to these values resulted in rapid growth for the company. In 2017, for the [3rd year in a row](#), Patriot was named to Inc Magazine's list of the 5000 Fastest Growing Companies in America.

Today Patriot has a new, fully modernized 30,000 SqFt Factory in Louisa, Virginia, 50,000 SqFt in Richmond, Virginia and 60,00 SqFt in Houston, Texas. The company has 80 employees, 6 Delivery Vehicles, 6 Landis Double Head Conduit Production Lines, 20 Haas CNC Centers, a 10 station Nipple Line, 3 Wallace Large Radius Shipyard Benders, and 6 Pedrick Rotary Compression Benders. Many in the workforce are US Military Veterans. Patriot maintains \$9,000,000 of inventory in 12 Regional Warehouses Nationwide.

Looking ahead, Tom & Sarah intend to continue to grow Patriot by adding new products, new production capabilities, and even new production facilities...continuing the story for the next generation, and inspiring action in support of [American Manufacturing](#).



The Patriot Team



The Patriot Team - Sales, Logistics, Operations, Accounting, & Administration



Patriot Blue™ Drivers



The Conduit Craftsmen



Rosie, John Griffin, Rosie



Tom, Sarah, Helen, Joe, and Ian Click

Three Factories

High Speed Conduit Threading



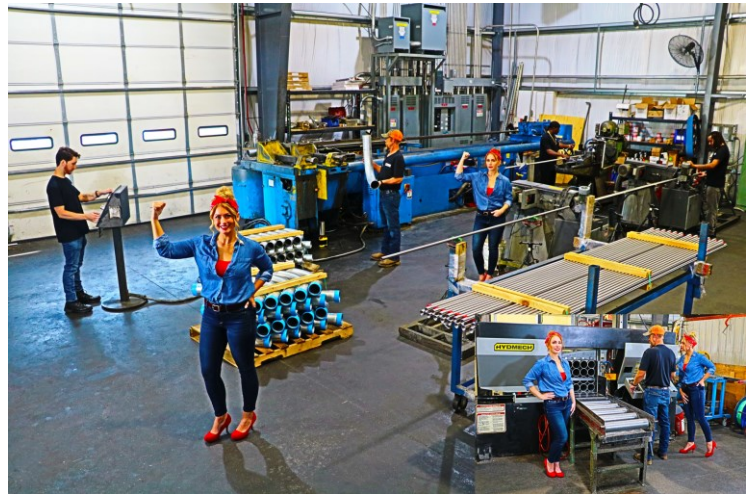
Precision CNC Machining



Custom Bundles & Kitting via Quicksilver™



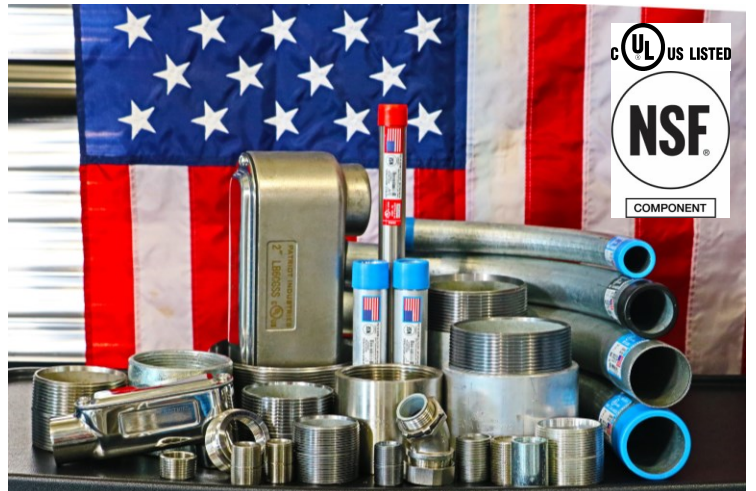
Large Diameter Bending Work cell



Free Delivery with No Min via Patriot Blue™



GRC, EMT, Aluminum, & Stainless



Three USA Based Factories

12 Stocking Locations



2023 Expansion in Houston
1033 Red Bluff Road

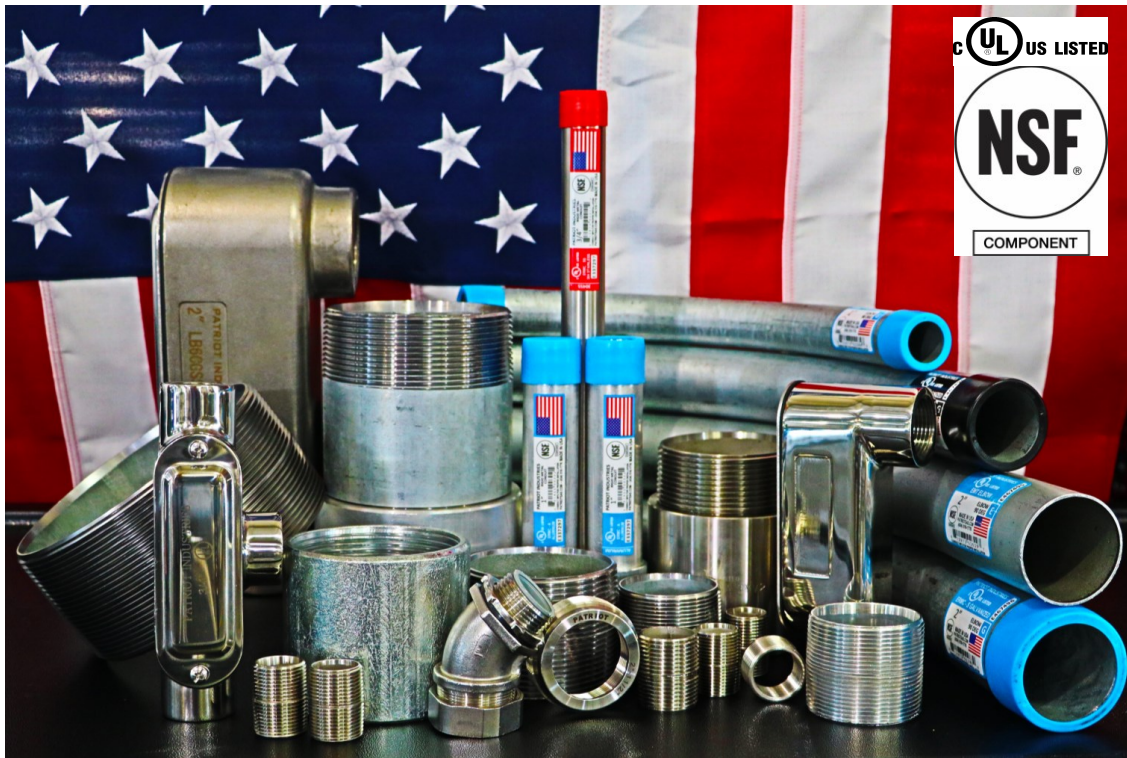


All 3 Offer Patriot Prefab™
Custom Nipples & Elbows



Patriot's Products

Only Patriot has all 4 Materials!
Aluminum, Stainless Steel, Galvanized Steel & EMT



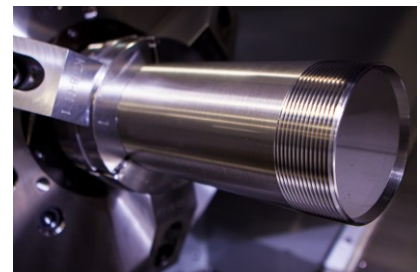
Rigid Aluminum

- Conduit
- Nipples
- Elbows
- Couplings



Rigid Stainless Steel

- Conduit
- Nipples
- Elbows
- Couplings



Rigid Galvanized Steel

- Nipples
- Elbows
- Couplings

EMT

- Elbows

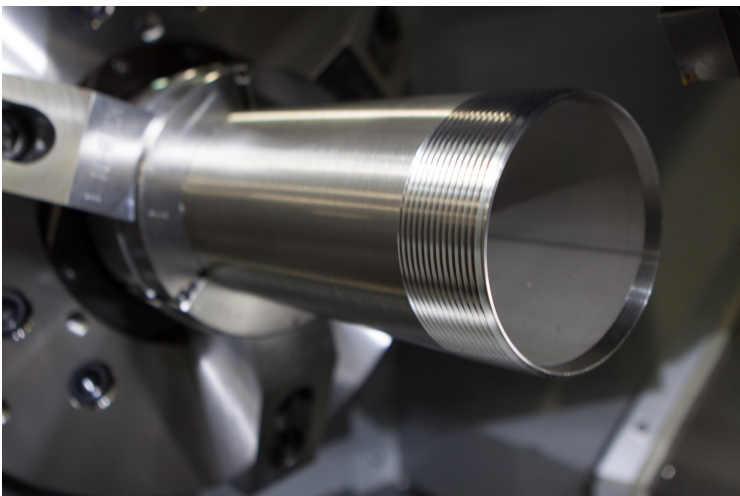


Join The New Industrial Revolution™

Advanced CNC Manufacturing



The Cleanest & Sharpest Threads



Trademark Packaging for Safer Jobsites

Cleaner, Safer, Faster!

Patriot Aluminum Products has spent years developing custom designed packaging solutions to make Jobsites and Distributor Warehouses Cleaner and Safer. It's one of our Trademarks...you can tell it's a Patriot product simply from the packaging!

The Patriot EcoPack™

Designed for Contractors & Distributors, the Patriot EcoPack™ eliminates many of the problems associated with traditional cardboard boxes.

With a clear body and re-sealable snap-tight lid, this new Patent Pending packaging not only keeps jobsite dirt, dust, and moisture away from your fittings....it also makes it easy to see how many nipples or couplings are left in the box.



For Both GRC and Aluminum

UniPack™, CleanHold™ & QuickSilver™

During our start-up in 2010, Patriot developed an industry leading UniPack™ System which allows all sizes of conduit to stack neatly and safely. This Trademark system also provides a taller “gap” for forklift forks and reduces the potential for damage when unloading and staging.

CleanHold™ secures sub-bundles, without the sticky residue created by traditional fiberglass tape.

Patriot's custom designed and patent pending QuickSilver™ pallet makes it easy to create custom Project Packs and ships via an enclosed carrier. It also elevates the conduit while on the jobsite, reducing dirt or debris on the tubes.



Always Look for Patriot's Trademark UL Label

ALUMINUM	c  US LISTED	Patriot Industries 1" RIGID METAL CONDUIT			
					ERM - A ALUMINUM
					E337297 H
					CONSULT MFG FOR PROPER INSTALLATION © 2023 PATRIOTSAS.COM ~ (434) 510-1776
8 51422 00302 1	COMPONENT	MADE IN USA	HOUSTON TX		

The Answer is “Yes”...what’s the question?

Unmatched Flexibility and Speed

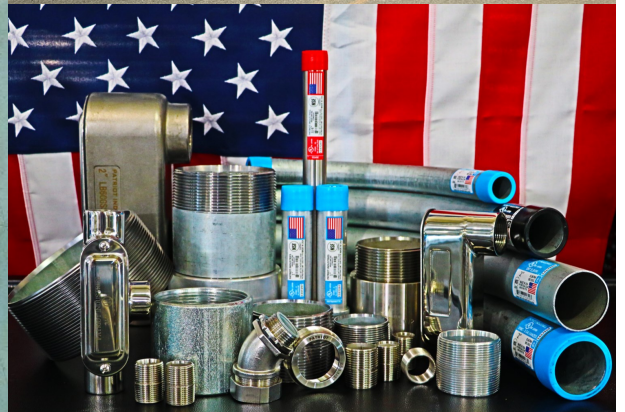
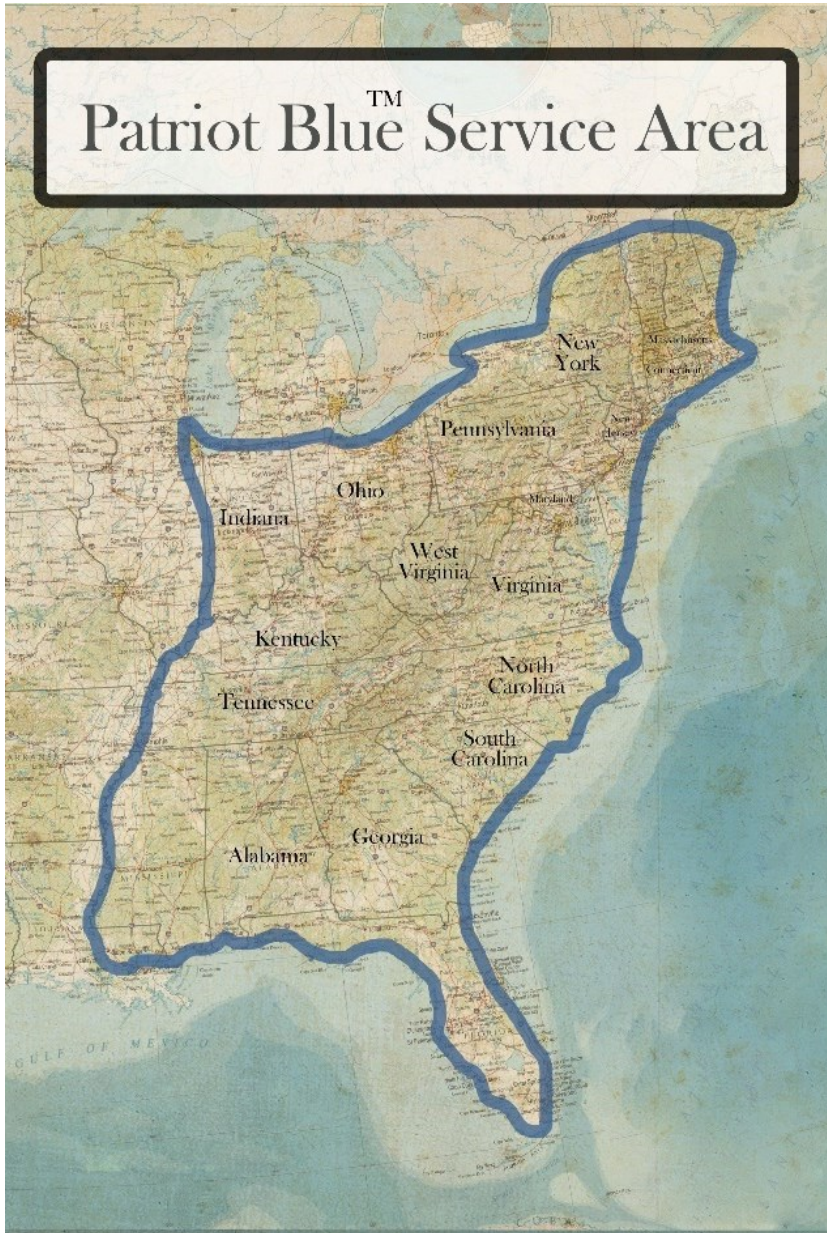


Customers Receive Photos of Each Shipment



The Patriot Truck is Coming!

Are you still paying for freight?



What Can Patriot Blue™ Do For You?

Patriot Aluminum has 4 delivery vehicles that run weekly routes through the Midwest, Southeast, Mid Atlantic, and Northeast...we like to call it **Patriot Blue™**. The service is **Free**, and there are **No Prepaid Minimums...that's right, No Minimums.**

Joint Training Calls



Patriot routinely makes **Joint Calls to Target Accounts** with Distributor Sales personnel. We also provide Field Training for any and all of our conduit products. Above are a few photos of an industry icon, **John T. Griffin** showing several Contractors and Engineers how to properly thread 316 Stainless Steel, on their equipment in their facility.



Targeted Customer Events & Promos

2017 Mini Cooper Sponsorship



Branch Level Co-Op Advertising Funds

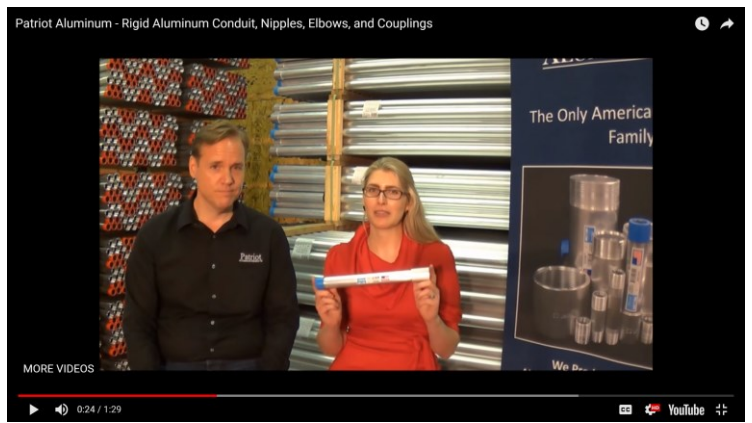


Custom Giveaways for Counter Days & Company Events

- Complete YETI Drinkware Lineup – Co Branded
- 511 Range Bags & Cabela's Skeet Bags – Co Branded
- Custom Trucker Hats – Co Branded

Online Company Videos

Product Training



Company Culture



PATRIOT STEEL PRODUCTS

Galvanized / EMT



- GRC Elbows, Nipples, & Couplings
- EMT Elbows
- No Freight and No Minimums when it rides on Patriot Blue™
- Manufactured in Virginia & Texas



July 4, 2024

Manufacturer's Certification

Patriot's GRC Elbows, Nipples & Couplings and EMT Elbows

This certification applies to the following products that have been manufactured in the United States:

- Galvanized Rigid Conduit Elbows, Nipples, & Couplings
- EMT Elbows

It is hereby certified that the above referenced products:

1. Are made from Steel which has been Made and Melted in the USA
2. Meets the provisions of the Build America, Buy America Act
3. Meets the provisions of the Buy American Act
4. Meets the provisions of the American Recovery and Reinvestment Act (ARRA)
5. GRC Elbows, Nipples, & Couplings meet or exceed:
 - the UL 6 Standard For Electrical Rigid Metal Conduit – Steel requirements and are listed with the Underwriters Laboratories, File # E467495
 - the American National Standard Institute (ANSI) C80.1 and B1.20.1 Standards
 - Federal Specification WW-C-581 class 1 type A
 - CSA Standard C22.2
6. EMT Elbows meet or exceed:
 - the UL 797 Standard For Electrical Rigid Metal Conduit – Steel requirements and are listed with the Underwriters Laboratories, File # E467496
 - the American National Standard Institute (ANSI) C80.3 Standard
 - ASTM Specification A787
 - CSA Standard C22.1

Under penalty of perjury, I declare that I have examined this certification statement, and to the best of my knowledge and belief, the facts presented are true, correct, and complete.

All the best,

Tom Click
President & CEO
Patriot Aluminum Products, LLC



tom.click@patriotsas.com
Cell - 434-825-2652

Galvanized / EMT

SUBMITTAL SHEET

Features:

- Precision Machined
- Made from Hot Dip Galvanized Steel Rigid Metal Conduit
- Made in the USA at:
 - Louisa Virginia
 - Chester Virginia
 - Pasadena Texas

Applications:

- Indoor, Outdoor, Wet, or Dry Locations
- Class 1, Division 1 Hazardous Locations

Certification and Compliance:



= 100 % Made in USA

- UL6 – US and Canada, File Number E467496 and E300771
- NSF/ANSI 169 Certified, ANSI C80.1, C22.2 no 45.1
- Install in accordance with “National Electrical Code” (NEC) Article 344, ANSI/NFPA 70

Industries Served:

- Warehouse & Commercial
- Corrosive Environments
- Food & Beverage
- Pulp & Paper Mills
- Chemical/Petrochemical
- Water & Wastewater Treatment
- Pharmaceutical & Cosmetics
- Refining & Extraction
- Marine & Coastal

SUBMITTAL INFORMATION

PROJECT TITLE:		CONTRACTOR:		DATE:	
		ENGINEER:			
PROJECT LOCATION(S):		SECTION SUBCONTRACTOR(S):			
SPECIFICATION REFERENCE:		SECTION TITLE:			
NOTES:					



Quote Request

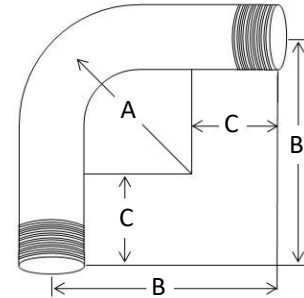
Rigid Steel Conduit Elbows



- UL6 – File #E467496
- Made in Louisa Virginia, Chester Virginia, or Houston Texas

Add Photo

Standard Radius 90° GRC Elbows						
Trade Size	Standard Carton	Wgt per 100 Pcs	Nominal Dimensions			Part Number
			Radius A	B	C	
U.S.	Qty	Lbs	in	in	in	
1/2"	50	70	4	6-3/16	1-1/2	RGS012EL90
3/4"	50	112	4-1/2	6-3/4	1-1/2	RGS034EL90
1"	20	192	5-3/4	8-5/8	1-7/8	RGS100EL90
1 1/4"	20	320	7-1/4	10-1/16	2	RGS114EL90
1 1/2"	10	413	8-1/4	11-9/16	2	RGS112EL90
2"	10	670	9-1/2	14-1/16	2	RGS200EL90
2 1/2"	10	1200	10-1/2	16	3	RGS212EL90
3"	10	1900	13	19-11/16	3-1/8	RGS300EL90
3 1/2"	5	2800	15	22-3/16	3-1/4	RGS312EL90
4"	5	3100	16	23-1/8	3-3/8	RGS400EL90
5"	Bulk	6800	24	36-1/8	3-5/8	RGS500EL90
6"	Bulk	11400	30	42-15/16	3-3/4	RGS600EL90



Galvanized / EMT

Standard Radius 45° GRC Elbows						
Trade Size	Standard Carton	Wgt per 100 Pcs	Nominal Dimensions			Part Number
			Radius A	B	C	
U.S.	Qty	Lbs	in	in	in	
1/2"	50	70	4.000	7-13/16	3-1/4	RGS012EL45
3/4"	50	112	4.500	8-11/16	3-5/8	RGS034EL45
1"	20	192	5.750	9-3/16	3-13/16	RGS100EL45
1 1/4"	20	320	7.250	10-11/16	4-7/16	RGS114EL45
1 1/2"	10	413	8.250	11-13/16	4-7/8	RGS112EL45
2"	10	670	9.500	14-7/8	6-1/8	RGS200EL45
2 1/2"	10	1200	10.500	18-5/16	7-9/16	RGS212EL45
3"	10	1900	13.000	20-9/16	8-1/2	RGS300EL45
3 1/2"	5	2800	15.000	23-3/16	9-5/8	RGS312EL45
4"	5	3100	16.000	24-1/2	10-1/8	RGS400EL45
5"	Bulk	6800	24.000	38-1/4	15-7/8	RGS500EL45
6"	Bulk	11400	30.000	42	17-3/8	RGS600EL45

~ Standard radius elbows also available in 60, 30, 22 1/2, 15 and 11 1/4.
 ~ Special Large Radius 90° RGS Elbows are available with up to a 60" Radius.

Patriot Industries ~ Office (434) 510-1776 ~ www.patriotsas.com
 Main HQ & Factory 1 - 205 Ferncliff Drive - Louisa, VA 23093
 Factory 2 - 13721 US 1 Plant 4/4A - Chester, VA 23831
 Factory 3 - 1033 Red Bluff Road - Pasadena, TX 77506



Quote Request

Rigid Steel Conduit Nipples



- UL6 – File #E467496
- Made in Louisa Virginia, Chester Virginia, or Houston Texas

Galvanized / EMT

Galvanized Rigid Steel Conduit Nipples						Galvanized Rigid Steel Conduit Nipples					
Size	Length	Weight	Box Qty	Origin	Part Number	Size	Length	Weight	Box Qty	Origin	Part Number
1/2" GRC NIPPLES						1 1/4" GRC NIPPLES					
1/2" X CLOSE	1 1/8"	0.05	25	USA	RGS012XCLNP	1 1/4" X CLOSE	1 5/8"	0.19	25	USA	RGS114XCLNP
1/2" X 1 1/2"	1 1/2"	0.08	25	USA	RGS012X112NP	1 1/4" X 2"	2"	0.25	25	USA	RGS114X200NP
1/2" X 2"	2"	0.10	25	USA	RGS012X200NP	1 1/4" X 2 1/2"	2 1/2"	0.34	25	USA	RGS114X212NP
1/2" X 2 1/2"	2 1/2"	0.14	25	USA	RGS012X212NP	1 1/4" X 3"	3"	0.44	25	USA	RGS114X300NP
1/2" X 3"	3"	0.18	25	USA	RGS012X300NP	1 1/4" X 3 1/2"	3 1/2"	0.55	25	USA	RGS114X312NP
1/2" X 3 1/2"	3 1/2"	0.22	25	USA	RGS012X312NP	1 1/4" X 4"	4"	0.62	25	USA	RGS114X400NP
1/2" X 4"	4"	0.24	25	USA	RGS012X400NP	1 1/4" X 5"	5"	0.80	25	USA	RGS114X500NP
1/2" X 5"	5"	0.30	25	USA	RGS012X500NP	1 1/4" X 6"	6"	1.00	25	USA	RGS114X600NP
1/2" X 6"	6"	0.40	25	USA	RGS012X600NP	1 1/4" X 8"	8"	1.36	15	USA	RGS114X800NP
1/2" X 8"	8"	0.51	25	USA	RGS012X800NP	1 1/4" X 10"	10"	1.82	15	USA	RGS114X1000NP
1/2" X 10"	10"	0.68	25	USA	RGS012X1000NP	1 1/4" X 12"	12"	1.97	15	USA	RGS114X1200NP
1/2" X 12"	12"	0.80	25	USA	RGS012X1200NP	1 1/2" GRC NIPPLES					
3/4" GRC NIPPLES						1 1/2" X CLOSE	1 3/4"	0.24	25	USA	RGS112XCLNP
3/4" X CLOSE	1 3/8"	0.08	25	USA	RGS034XCLNP	1 1/2" X 2"	2"	0.28	25	USA	RGS112X200NP
3/4" X 1 1/2"	1 1/2"	0.09	25	USA	RGS034X112NP	1 1/2" X 2 1/2"	2 1/2"	0.36	25	USA	RGS112X212NP
3/4" X 2"	2"	0.13	25	USA	RGS034X200NP	1 1/2" X 3"	3"	0.48	25	USA	RGS112X300NP
3/4" X 2 1/2"	2 1/2"	0.19	25	USA	RGS034X212NP	1 1/2" X 3 1/2"	3 1/2"	0.68	25	USA	RGS112X312NP
3/4" X 3"	3"	0.23	25	USA	RGS034X300NP	1 1/2" X 4"	4"	0.77	25	USA	RGS112X400NP
3/4" X 3 1/2"	3 1/2"	0.28	25	USA	RGS034X312NP	1 1/2" X 5"	5"	0.97	10	USA	RGS112X500NP
3/4" X 4"	4"	0.33	25	USA	RGS034X400NP	1 1/2" X 6"	6"	1.13	10	USA	RGS112X600NP
3/4" X 5"	5"	0.40	25	USA	RGS034X500NP	1 1/2" X 8"	8"	1.53	25	USA	RGS112X800NP
3/4" X 6"	6"	0.50	25	USA	RGS034X600NP	1 1/2" X 10"	10"	1.94	25	USA	RGS112X1000NP
3/4" X 8"	8"	0.73	25	USA	RGS034X800NP	1 1/2" X 12"	12"	2.60	25	USA	RGS112X1200NP
3/4" X 10"	10"	0.84	25	USA	RGS034X1000NP	2" GRC NIPPLES					
3/4" X 12"	12"	1.08	25	USA	RGS034X1200NP	2" X CLOSE	2"	0.38	25	USA	RGS200XCLNP
1" GRC NIPPLES						2" X 2 1/2"	2 1/2"	0.59	25	USA	RGS200X212NP
1" X CLOSE	1 1/2"	0.16	25	USA	RGS100XCLNP	2" X 3"	3"	0.62	25	USA	RGS200X300NP
1" X 2"	2"	0.20	25	USA	RGS100X200NP	2" X 3 1/2"	3 1/2"	0.88	25	USA	RGS200X312NP
1" X 2 1/2"	2 1/2"	0.27	25	USA	RGS100X212NP	2" X 4"	4"	0.90	25	USA	RGS200X400NP
1" X 3"	3"	0.34	25	USA	RGS100X300NP	2" X 5"	5"	1.32	25	USA	RGS200X500NP
1" X 3 1/2"	3 1/2"	0.41	25	USA	RGS100X312NP	2" X 6"	6"	1.46	10	USA	RGS200X600NP
1" X 4"	4"	0.47	25	USA	RGS100X400NP	2" X 8"	8"	2.20	10	USA	RGS200X800NP
1" X 5"	5"	0.63	25	USA	RGS100X500NP	2" X 10"	10"	2.85	25	USA	RGS200X1000NP
1" X 6"	6"	0.75	25	USA	RGS100X600NP	2" X 12"	12"	3.02	10	USA	RGS200X1200NP
1" X 8"	8"	1.09	25	USA	RGS100X800NP						
1" X 10"	10"	1.38	25	USA	RGS100X1000NP						
1" X 12"	12"	1.47	25	USA	RGS100X1200NP						

~ Custom length nipples are available. Any length, any quantity.

Patriot Industries ~ Office (434) 510-1776 ~ www.patriotsas.com
 Main HQ & Factory 1 - 205 Ferncliff Drive - Louisa, VA 23093
 Factory 2 - 13721 US 1 Plant 4/4A - Chester, VA 23831
 Factory 3 - 1033 Red Bluff Road - Pasadena, TX 77506



Rigid Steel Conduit Nipples



- UL6 – File #E467496
- Made in Louisa Virginia, Chester Virginia, or Houston Texas

Galvanized / EMT

Galvanized Rigid Steel Conduit Nipples						Galvanized Rigid Steel Conduit Nipples					
Size	Length	Weight	Box Qty	Origin	Part Number	Size	Length	Weight	Box Qty	Origin	Part Number
2 1/2" GRC NIPPLES						4" GRC NIPPLES					
2 1/2" X CLOSE	2 1/2"	0.84	10	USA	RGS212XCLNP	4" X CLOSE	2 7/8"	1.80	2	USA	RGS400XCLNP
2 1/2" X 3"	3"	1.00	10	USA	RGS212X300NP	4" X 4"	4"	2.85	5	USA	RGS400X400NP
2 1/2" X 3 1/2"	3 1/2"	1.20	10	USA	RGS212X312NP	4" X 5"	5"	3.80	5	USA	RGS400X500NP
2 1/2" X 4"	4"	1.50	10	USA	RGS212X400NP	4" X 6"	6"	4.40	5	USA	RGS400X600NP
2 1/2" X 5"	5"	1.97	10	USA	RGS212X500NP	4" X 8"	8"	6.00	2	USA	RGS400X800NP
2 1/2" X 6"	6"	2.40	10	USA	RGS212X600NP	4" X 10"	10"	7.75	2	USA	RGS400X1000NP
2 1/2" X 8"	8"	3.29	5	USA	RGS212X800NP	4" X 12"	12"	9.25	2	USA	RGS400X1200NP
2 1/2" X 10"	10"	4.22	10	USA	RGS212X1000NP	5" GRC NIPPLES					
2 1/2" X 12"	12"	5.05	10	USA	RGS212X1200NP	5" X CLOSE	3"	2.40	Bulk	USA	RGS500XCLNP
3" GRC NIPPLES						5" X 5"	5"	4.80	Bulk	USA	RGS500X500NP
3" X CLOSE	2 5/8"	1.18	10	USA	RGS300XCLNP	5" X 6"	6"	6.00	Bulk	USA	RGS500X600NP
3" X 3"	3"	1.30	10	USA	RGS300X300NP	5" X 8"	8"	8.25	Bulk	USA	RGS500X800NP
3" X 3 1/2"	3 1/2"	1.57	5	USA	RGS300X312NP	5" X 10"	10"	10.55	Bulk	USA	RGS500X1000NP
3" X 4"	4"	2.00	5	USA	RGS300X400NP	5" X 12"	12"	12.60	Bulk	USA	RGS500X1200NP
3" X 5"	5"	2.60	10	USA	RGS300X500NP	6" GRC NIPPLES					
3" X 6"	6"	3.00	10	USA	RGS300X600NP	6" X CLOSE	3 1/8"	3.50	Bulk	USA	RGS600XCLNP
3" X 8"	8"	4.11	10	USA	RGS300X800NP	6" X 5"	5"	6.60	Bulk	USA	RGS600X500NP
3" X 10"	10"	5.28	5	USA	RGS300X1000NP	6" X 6"	6"	8.20	Bulk	USA	RGS600X600NP
3" X 12"	12"	6.30	5	USA	RGS300X1200NP	6" X 8"	8"	10.40	Bulk	USA	RGS600X800NP
3 1/2" GRC NIPPLES						6" X 10"	10"	14.40	Bulk	USA	RGS600X1000NP
3 1/2" X CLOSE	2 3/4"	1.60	10	USA	RGS312XCLNP	6" X 12"	12"	17.20	Bulk	USA	RGS600X1200NP
3 1/2" X 4"	4"	2.40	10	USA	RGS312X400NP						
3 1/2" X 5"	5"	3.20	10	USA	RGS312X500NP						
3 1/2" X 6"	6"	3.73	10	USA	RGS312X600NP						
3 1/2" X 8"	8"	5.10	5	USA	RGS312X800NP						
3 1/2" X 10"	10"	6.55	5	USA	RGS312X1000NP						
3 1/2" X 12"	12"	7.85	2	USA	RGS312X1200NP						

~ Custom length nipples are available. Any length, any quantity.

Patriot Industries ~ Office (434) 510-1776 ~ www.patriotsas.com
 Main HQ & Factory 1 - 205 Ferncliff Drive - Louisa, VA 23093
 Factory 2 - 13721 US 1 Plant 4/4A - Chester, VA 23831
 Factory 3 - 1033 Red Bluff Road - Pasadena, TX 77506



Quote Request

Rigid Steel Conduit Couplings



- Made in America

Add Photo

Add Photo

Galvanized / EMT

Galvanized Rigid Steel Conduit Couplings				
Trade Size	Approx Wt Per 100 Pieces	Nominal Outside Diameter	Length	Part Number
1/2"	17	1.010	1.63	RGS012CP
3/4"	26	1.250	1.64	RGS034CP
1"	34	1.530	1.97	RGS100CP
1 1/4"	51	1.870	2.03	RGS114CP
1 1/2"	61	2.160	2.06	RGS112CP
2"	90	2.650	2.13	RGS200CP
2 1/2"	193	3.250	3.19	RGS212CP
3"	260	3.870	3.31	RGS300CP
3 1/2"	358	4.500	3.41	RGS312CP
4"	397	4.880	3.52	RGS400CP
5"	866	6.000	3.95	RGS500CP
6"	1000	7.200	4.25	RGS600CP

Patriot Industries ~ Office (434) 510-1776 ~ www.patriotsas.com
Main HQ & Factory 1 - 205 Ferncliff Drive - Louisa, VA 23093
Factory 2 - 13721 US 1 Plant 4/4A - Chester, VA 23831
Factory 3 - 1033 Red Bluff Road - Pasadena, TX 77506



SUBMITTAL SHEET

Galvanized / EMT

Features:

- Precision Machined
- Made from EMT Steel Conduit
- Made in the USA at:
 - Louisa Virginia
 - Chester Virginia
 - Pasadena Texas

Applications:

- Typically Installed where not subject to Physical Damage
- Locations may be Exposed or Concealed

Certification and Compliance:



= 100 % Made in USA

- UL797 – US and Canada, File Number E467495
- NSF/ANSI 169 Certified, ANSI C80.3, and federal specifications WW-C-563
- Install in accordance with “National Electrical Code” (NEC) Article 358, ANSI/NFPA 70

Industries Served:

- Warehouse & Commercial
- Food & Beverage
- Pulp & Paper Mills
- Chemical/Petrochemical
- Water & Wastewater Treatment
- Pharmaceutical & Cosmetics
- Refining & Extraction
- Marine & Coastal

SUBMITTAL INFORMATION			
PROJECT TITLE:		CONTRACTOR:	DATE:
		ENGINEER:	
PROJECT LOCATION(S):		SECTION	
		SUBCONTRACTOR(S):	
SPECIFICATION REFERENCE:		SECTION TITLE:	
NOTES:			



Quote Request

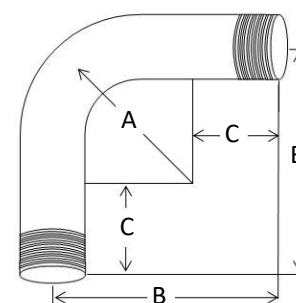
EMT Steel Elbows



- UL797 – File #E467495
- Made in Louisa Virginia, Chester Virginia, or Houston Texas

Galvanized / EMT

Standard Radius 90° EMT Elbows						
Trade Size	Standard Carton Qty	Wgt per 100 Pcs Lbs	Nominal Dimensions			Part Number
			Radius A in	B in	C in	
1/2"	50	26	4	6-3/16	1-1/2	EMT012EL90
3/4"	50	46	4-1/2	6-3/4	1-1/2	EMT034EL90
1"	20	92	5-3/4	8-5/8	1-7/8	EMT100EL90
1 1/4"	20	135	7-1/4	10-1/16	2	EMT114EL90
1 1/2"	10	200	8-1/4	11-9/16	2	EMT112EL90
2"	10	280	9-1/2	14-1/16	2	EMT200EL90
2 1/2"	10	500	10-1/2	16	3	EMT212EL90
3"	10	750	13	19-11/16	3-1/8	EMT300EL90
3 1/2"	5	1014	15	22-3/16	3-1/4	EMT312EL90
4"	5	1300	16	23-1/8	3-3/8	EMT400EL90



Standard Radius 45° EMT Elbows						
Trade Size	Standard Carton Qty	Wgt per 100 Pcs Lbs	Nominal Dimensions			Part Number
			Radius A in	B in	C in	
1/2"	50	26	4.000	7-13/16	3-1/4	EMT012EL45
3/4"	50	46	4.500	8-11/16	3-5/8	EMT034EL45
1"	20	92	5.750	9-3/16	3-13/16	EMT100EL45
1 1/4"	20	135	7.250	10-11/16	4-7/16	EMT114EL45
1 1/2"	10	200	8.250	11-13/16	4-7/8	EMT112EL45
2"	10	280	9.500	14-7/8	6-1/8	EMT200EL45
2 1/2"	10	500	10.500	18-5/16	7-9/16	EMT212EL45
3"	10	750	13.000	20-9/16	8-1/2	EMT300EL45
3 1/2"	5	1014	15.000	23-3/16	9-5/8	EMT312EL45
4"	5	1300	16.000	24-1/2	10-1/8	EMT400EL45

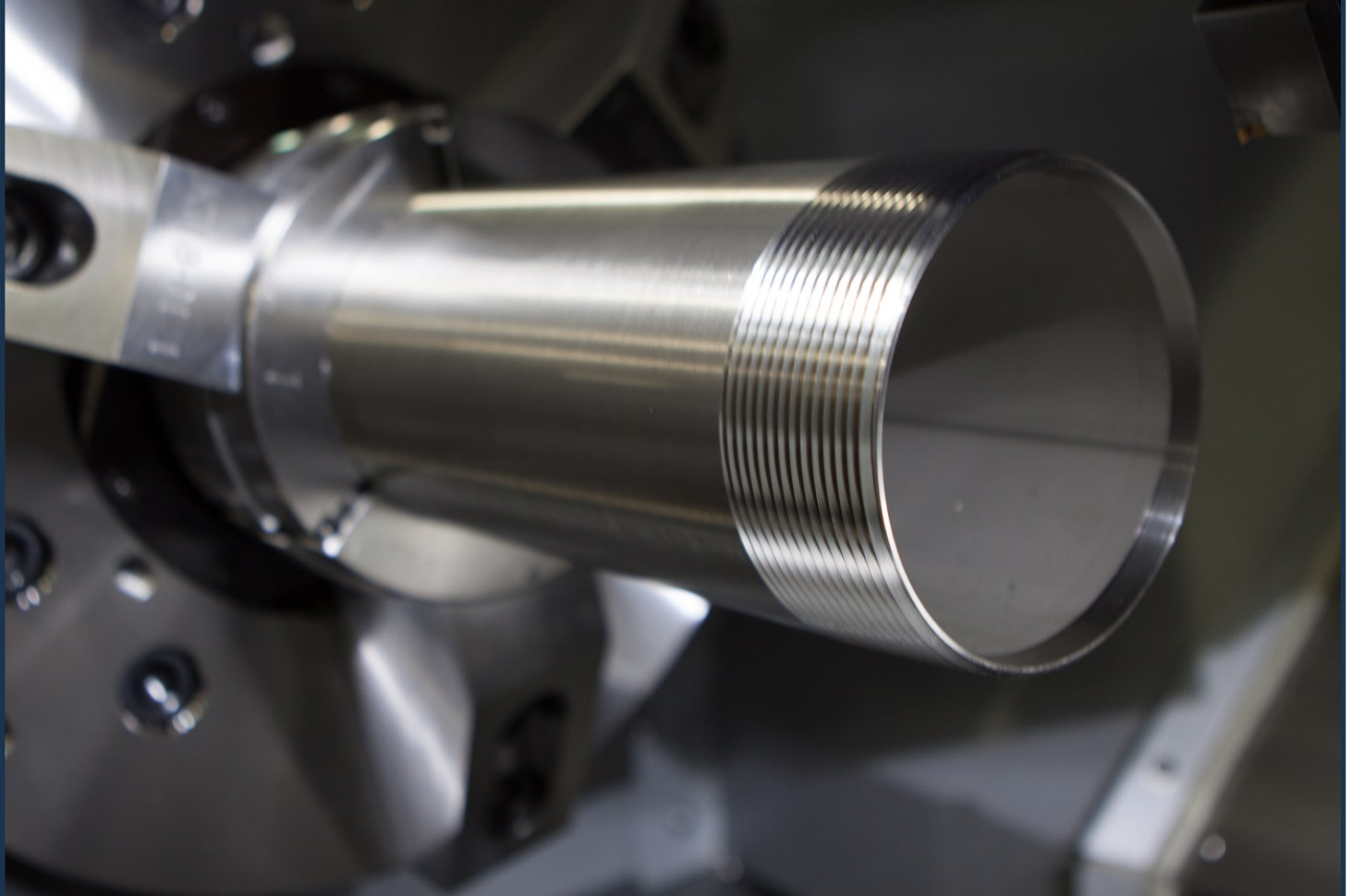
~ Standard radius elbows also available in 60, 30, 22 1/2, 15 and 11 1/4.
 ~ Special Large Radius 90° EMT Elbows are available with up to a 48" Radius.

Patriot Industries ~ Office (434) 510-1776 ~ www.patriotsas.com
 Main HQ & Factory 1 - 205 Ferncliff Drive - Louisa, VA 23093
 Factory 2 - 13721 US 1 Plant 4/4A - Chester, VA 23831
 Factory 3 - 1033 Red Bluff Road - Pasadena, TX 77506



PATRIOT

STAINLESS PRODUCTS



Stainless Steel



- Rigid Stainless Steel Conduit, ECN's & Fittings
- No Freight and No Minimums when it rides on Patriot Blue™
- Conduit Products Manufactured in Virginia & Texas



July 4, 2024

Manufacturer's Certification Patriot's Rigid Metal Conduit – Stainless Steel

This certification applies to the following products that have been manufactured in the United States, at Patriot Aluminum Products, LLC located in Louisa, VA:

- Rigid Stainless Steel Conduit, Nipples, Elbows, and Couplings

It is hereby certified that the above referenced product:

1. Meets the provisions of the Buy American Act
2. Meets the provisions of the American Recovery and Reinvestment Act (ARRA)
3. Meets or exceeds the UL 6A Standard For Electrical Rigid Metal Conduit – Aluminum, Bronze, and Stainless Steel requirements and are listed with the Underwriters Laboratories, File # E337297
4. Meets or exceeds the American National Standard Institute (ANSI) C80.5 Standard
5. Meets or exceeds Federal Specification WW-C-540c
6. Meets or exceeds ASTM Specification B221
7. Meets or exceeds CSA Standard C22.2 No. 45.2
8. Meets or exceeds NSF/ANSI Specification 169

Under penalty of perjury, I declare that I have examined this certification statement, and to the best of my knowledge and belief, the facts presented are true, correct, and complete.

All the best,



Tom Click
President & CEO
Patriot Aluminum Products, LLC

tom.click@patriotsas.com
Cell - 434-825-2652

Stainless Steel

SUBMITTAL SHEET

Features:

- Precision Machined in 316 Stainless Steel to meet Sanitary Requirements
- Polished Finish to increase Corrosion Resistance
- Made in the USA (Where Noted) at:
 - Louisa Virginia
 - Chester Virginia
 - Pasadena Texas

Applications:

- 304 & 316 Stainless Steel Conduit Products are Specified in Sanitary, Wash Down, Harsh, and/or Highly Corrosive Environments

Certification and Compliance:



= 100 % Made in USA



= Made in USA, May include Imported Raw Material

- UL6A – US and Canada, File Number E337297
- UL514A – US and Canada, File Number E337297
- NSF/ANSI 169 Certified, ANSI C80.5, ASTM B221, C22.2 no 45.2-08
- Manufactured to comply with ASTM A240 (Type 316) and ASTM A276-03
- Install in accordance with “National Electrical Code” (NEC), ANSI/NFPA 70

Industries Served:

- Corrosive Environments
- Food & Beverage
- Pulp & Paper Mills
- Chemical/Petrochemical
- Water & Wastewater Treatment
- Pharmaceutical & Cosmetics
- Refining & Extraction
- Marine & Coastal

Stainless Steel

SUBMITTAL INFORMATION			
PROJECT TITLE:		CONTRACTOR:	DATE:
		ENGINEER:	
PROJECT LOCATION(S):		SECTION	
		SUBCONTRACTOR(S):	
SPECIFICATION REFERENCE:		SECTION TITLE:	
NOTES:			



Quote Request

Stainless Steel Rigid Conduit



- Available in 304 or 316 Stainless Steel
- Comes Fully Assembled with a Coupling and Color-Coded Thread Protector
- Made in Louisa Virginia or Houston Texas



Stainless Steel Rigid Conduit

Trade Size	Approx Wt Per 100 Feet	Nominal Outside Diameter	Nominal Wall	Threads Per Inch	Length without Coupling	Part Number	
						Type 304	Type 316
1/2	82.0	0.840	0.104	14	9' 11-1/4"	S04012CN	S16012CN
3/4	109.0	1.050	0.107	14	9' 11-1/4"	S04034CN	S16034CN
1	161.0	1.315	0.126	11.5	9' 11"	S04100CN	S16100CN
1-1/4	218.0	1.660	0.133	11.5	9' 11"	S04114CN	S16114CN
1-1/2	263.0	1.900	0.138	11.5	9' 11"	S04112CN	S16112CN
2	350.0	2.375	0.146	11.5	9' 11"	S04200CN	S16200CN
2-1/2	559.0	2.875	0.193	8	9' 10-1/2"	S04212CN	S16212CN
3	727.0	3.500	0.205	8	9' 10-1/2"	S04300CN	S16300CN
4	1008.0	4.500	0.225	8	9' 10-1/4"	S04400CN	S16400CN

Stainless Steel

Stainless Steel Rigid Conduit Couplings



- Available in 304 or 316 Stainless Steel
- Made in Louisa Virginia or Houston Texas



Stainless Steel Rigid Conduit Couplings

Trade Size	Approx Wt Per 10 Pieces	Nominal Outside Diameter	Nominal Inside Diameter	Length	Part Number	
					Type 304	Type 316
1/2	1.3	1.030	0.840	1.650	S04012CP	S16012CP
3/4	2.4	1.330	1.050	1.670	S04034CP	S16034CP
1	3.7	1.560	1.315	2.000	S04100CP	S16100CP
1-1/4	4.3	1.950	1.660	2.060	S04114CP	S16114CP
1-1/2	6.5	2.220	1.900	2.090	S04112CP	S16112CP
2	8.5	2.750	2.375	2.160	S04200CP	S16200CP
2-1/2	19.4	3.280	2.875	3.220	S04212CP	S16212CP
3	22.5	3.940	3.500	3.330	S04300CP	S16300CP
4	40.0	5.000	4.500	3.550	S04400CP	S16400CP

Patriot Industries ~ Office (434) 510-1776 ~ www.patriotsas.com
 Main HQ & Factory 1 - 205 Ferncliff Drive - Louisa, VA 23093
 Factory 2 - 13721 US 1 Plant 4/4A - Chester, VA 23831
 Factory 3 - 1033 Red Bluff Road - Pasadena, TX 77506



Quote Request

Stainless Steel Rigid Conduit Nipples



- Available in 304 or 316 Stainless Steel
- Made in Louisa Virginia or Houston Texas



Size	Length	Weight	Part Number	Part Number	Size	Length	Weight	Part Number	Part Number
			Type 304	Type 316				Type 304	Type 316
1/2" STAINLESS STEEL CONDUIT NIPPLES					1 1/4" STAINLESS STEEL CONDUIT NIPPLES				
1/2" X CLOSE	1 1/8"	0.05	S04012XCLNP	S16012XCLNP	1 1/4" X CLOSE	1 5/8"	0.19	S04114XCLNP	S16114XCLNP
1/2" X 1 1/2"	1 1/2"	0.08	S04012X112NP	S16012X112NP	1 1/4" X 2"	2"	0.25	S04114X200NP	S16114X200NP
1/2" X 2"	2"	0.10	S04012X200NP	S16012X200NP	1 1/4" X 2 1/2"	2 1/2"	0.34	S04114X212NP	S16114X212NP
1/2" X 2 1/2"	2 1/2"	0.14	S04012X212NP	S16012X212NP	1 1/4" X 3"	3"	0.44	S04114X300NP	S16114X300NP
1/2" X 3"	3"	0.18	S04012X300NP	S16012X300NP	1 1/4" X 3 1/2"	3 1/2"	0.55	S04114X312NP	S16114X312NP
1/2" X 3 1/2"	3 1/2"	0.22	S04012X312NP	S16012X312NP	1 1/4" X 4"	4"	0.62	S04114X400NP	S16114X400NP
1/2" X 4"	4"	0.24	S04012X400NP	S16012X400NP	1 1/4" X 5"	5"	0.80	S04114X500NP	S16114X500NP
1/2" X 5"	5"	0.30	S04012X500NP	S16012X500NP	1 1/4" X 6"	6"	1.00	S04114X600NP	S16114X600NP
1/2" X 6"	6"	0.40	S04012X600NP	S16012X600NP	1 1/4" X 8"	8"	1.36	S04114X800NP	S16114X800NP
1/2" X 8"	8"	0.51	S04012X800NP	S16012X800NP	1 1/4" X 10"	10"	1.82	S04114X1000NP	S16114X1000NP
1/2" X 10"	10"	0.68	S04012X1000NP	S16012X1000NP	1 1/4" X 12"	12"	1.97	S04114X1200NP	S16114X1200NP
1/2" X 12"	12"	0.80	S04012X1200NP	S16012X1200NP	1 1/2" STAINLESS STEEL CONDUIT NIPPLES				
3/4" STAINLESS STEEL CONDUIT NIPPLES					1 1/2" X CLOSE	1 3/4"	0.24	S04112XCLNP	S16112XCLNP
3/4" X CLOSE	1 3/8"	0.08	S04034XCLNP	S16034XCLNP	1 1/2" X 2"	2"	0.28	S04112X200NP	S16112X200NP
3/4" X 1 1/2"	1 1/2"	0.09	S04034X112NP	S16034X112NP	1 1/2" X 2 1/2"	2 1/2"	0.36	S04112X212NP	S16112X212NP
3/4" X 2"	2"	0.13	S04034X200NP	S16034X200NP	1 1/2" X 3"	3"	0.48	S04112X300NP	S16112X300NP
3/4" X 2 1/2"	2 1/2"	0.19	S04034X212NP	S16034X212NP	1 1/2" X 3 1/2"	3 1/2"	0.68	S04112X312NP	S16112X312NP
3/4" X 3"	3"	0.23	S04034X300NP	S16034X300NP	1 1/2" X 4"	4"	0.77	S04112X400NP	S16112X400NP
3/4" X 3 1/2"	3 1/2"	0.28	S04034X312NP	S16034X312NP	1 1/2" X 5"	5"	0.97	S04112X500NP	S16112X500NP
3/4" X 4"	4"	0.33	S04034X400NP	S16034X400NP	1 1/2" X 6"	6"	1.13	S04112X600NP	S16112X600NP
3/4" X 5"	5"	0.40	S04034X500NP	S16034X500NP	1 1/2" X 8"	8"	1.53	S04112X800NP	S16112X800NP
3/4" X 6"	6"	0.50	S04034X600NP	S16034X600NP	1 1/2" X 10"	10"	1.94	S04112X1000NP	S16112X1000NP
3/4" X 8"	8"	0.73	S04034X800NP	S16034X800NP	1 1/2" X 12"	12"	2.60	S04112X1200NP	S16112X1200NP
3/4" X 10"	10"	0.84	S04034X1000NP	S16034X1000NP	2" STAINLESS STEEL CONDUIT NIPPLES				
3/4" X 12"	12"	1.08	S04034X1200NP	S16034X1200NP	2" X CLOSE	2"	0.38	S04200XCLNP	S16200XCLNP
1" STAINLESS STEEL CONDUIT NIPPLES					2" X 2 1/2"	2 1/2"	0.59	S04200X212NP	S16200X212NP
1" X CLOSE	1 1/2"	0.16	S04100XCLNP	S16100XCLNP	2" X 3"	3"	0.62	S04200X300NP	S16200X300NP
1" X 2"	2"	0.20	S04100X200NP	S16100X200NP	2" X 3 1/2"	3 1/2"	0.88	S04200X312NP	S16200X312NP
1" X 2 1/2"	2 1/2"	0.27	S04100X212NP	S16100X212NP	2" X 4"	4"	0.90	S04200X400NP	S16200X400NP
1" X 3"	3"	0.34	S04100X300NP	S16100X300NP	2" X 5"	5"	1.32	S04200X500NP	S16200X500NP
1" X 3 1/2"	3 1/2"	0.41	S04100X312NP	S16100X312NP	2" X 6"	6"	1.46	S04200X600NP	S16200X600NP
1" X 4"	4"	0.47	S04100X400NP	S16100X400NP	2" X 8"	8"	2.20	S04200X800NP	S16200X800NP
1" X 5"	5"	0.63	S04100X500NP	S16100X500NP	2" X 10"	10"	2.85	S04200X1000NP	S16200X1000NP
1" X 6"	6"	0.75	S04100X600NP	S16100X600NP	2" X 12"	12"	3.02	S04200X1200NP	S16200X1200NP
1" X 8"	8"	1.09	S04100X800NP	S16100X800NP					
1" X 10"	10"	1.38	S04100X1000NP	S16100X1000NP					
1" X 12"	12"	1.47	S04100X1200NP	S16100X1200NP					

Stainless Steel

* All Dimensions and Weights are for Informational Purposes, and are Subject to Standard UL Tolerances.

Patriot Industries ~ Office (434) 510-1776 ~ www.patriotsas.com
 Main HQ & Factory 1 - 205 Ferncliff Drive - Louisa, VA 23093
 Factory 2 - 13721 US 1 Plant 4/4A - Chester, VA 23831
 Factory 3 - 1033 Red Bluff Road - Pasadena, TX 77506



Quote Request

Stainless Steel Rigid Conduit Nipples



- Available in 304 or 316 Stainless Steel
- Made in Louisa Virginia or Houston Texas



Stainless Steel

Size	Length	Weight	Part Number Type 304	Part Number Type 316	Size	Length	Weight	Part Number Type 304	Part Number Type 316
2 1/2" STAINLESS STEEL CONDUIT NIPPLES					4" STAINLESS STEEL CONDUIT NIPPLES				
2 1/2" X CLOSE	2 1/2"	0.84	S04212XCLNP	S16212XCLNP	4" X CLOSE	2 7/8"	1.80	S04400XCLNP	S16400XCLNP
2 1/2" X 3"	3"	1.00	S04212X300NP	S16212X300NP	4" X 4"	4"	2.85	S04400X400NP	S16400X400NP
2 1/2" X 3 1/2"	3 1/2"	1.20	S04212X312NP	S16212X312NP	4" X 5"	5"	3.80	S04400X500NP	S16400X500NP
2 1/2" X 4"	4"	1.50	S04212X400NP	S16212X400NP	4" X 6"	6"	4.40	S04400X600NP	S16400X600NP
2 1/2" X 5"	5"	1.97	S04212X500NP	S16212X500NP	4" X 8"	8"	6.00	S04400X800NP	S16400X800NP
2 1/2" X 6"	6"	2.40	S04212X600NP	S16212X600NP	4" X 10"	10"	7.75	S04400X1000NP	S16400X1000NP
2 1/2" X 8"	8"	3.29	S04212X800NP	S16212X800NP	4" X 12"	12"	9.25	S04400X1200NP	S16400X1200NP
2 1/2" X 10"	10"	4.22	S04212X1000NP	S16212X1000NP	5" STAINLESS STEEL CONDUIT NIPPLES				
2 1/2" X 12"	12"	5.05	S04212X1200NP	S16212X1200NP	5" X CLOSE	3"	2.40	S04500XCLNP	S16500XCLNP
3" STAINLESS STEEL CONDUIT NIPPLES					5" X 5"	5"	4.80	S04500X500NP	S16500X500NP
3" X CLOSE	2 5/8"	1.18	S04300XCLNP	S16300XCLNP	5" X 6"	6"	6.00	S04500X600NP	S16500X600NP
3" X 3"	3"	1.30	S04300X300NP	S16300X300NP	5" X 8"	8"	8.25	S04500X800NP	S16500X800NP
3" X 3 1/2"	3 1/2"	1.57	S04300X312NP	S16300X312NP	5" X 10"	10"	10.55	S04500X1000NP	S16500X1000NP
3" X 4"	4"	2.00	S04300X400NP	S16300X400NP	5" X 12"	12"	12.60	S04500X1200NP	S16500X1200NP
3" X 5"	5"	2.60	S04300X500NP	S16300X500NP	6" STAINLESS STEEL CONDUIT NIPPLES				
3" X 6"	6"	3.00	S04300X600NP	S16300X600NP	6" X CLOSE	3 1/8"	3.50	S04600XCLNP	S16600XCLNP
3" X 8"	8"	4.11	S04300X800NP	S16300X800NP	6" X 5"	5"	6.60	S04600X500NP	S16600X500NP
3" X 10"	10"	5.28	S04300X1000NP	S16300X1000NP	6" X 6"	6"	8.20	S04600X600NP	S16600X600NP
3" X 12"	12"	6.30	S04300X1200NP	S16300X1200NP	6" X 8"	8"	10.40	S04600X800NP	S16600X800NP
					6" X 10"	10"	14.40	S04600X1000NP	S16600X1000NP
					6" X 12"	12"	17.20	S04600X1200NP	S16600X1200NP



Dimensions and weights are for Informational Purposes, and are Subject to Standard UL Tolerances.

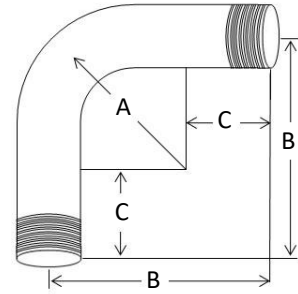
Patriot Industries ~ Office (434) 510-1776 ~ www.patriotsas.com
 Main HQ & Factory 1 - 205 Ferncliff Drive - Louisa, VA 23093
 Factory 2 - 13721 US 1 Plant 4/4A - Chester, VA 23831
 Factory 3 - 1033 Red Bluff Road - Pasadena, TX 77506



Stainless Steel Rigid Conduit Elbows



- Available in 304 or 316 Stainless Steel
- Made in Louisa Virginia, Chester Virginia, or Houston Texas
- Available in Custom Angles from 5°, Straight End Lengths, and Special Radius



Stainless Steel Rigid Conduit Standard Radius 90° Elbows

Trade Size	Wgt Per 10 Pieces	Nominal Dimensions			Part Number	
		Radius R	B	C	Type 304	Type 316
1/2	7.3	4.00	6.50	2.50	S04012EL90	S16012EL90
3/4	10.6	4.50	7.25	2.75	S04034EL90	S16034EL90
1	19.8	5.75	8.38	2.88	S04100EL90	S16100EL90
1-1/4	30.9	7.25	10.25	3.00	S04114EL90	S16114EL90
1-1/2	43.0	8.25	11.88	3.63	S04112EL90	S16112EL90
2	70.0	9.50	14.00	4.50	S04200EL90	S16200EL90
2-1/2	128.1	10.50	15.75	5.25	S04212EL90	S16212EL90
3	204.5	13.00	18.75	5.75	S04300EL90	S16300EL90
4	331.3	16.00	23.00	7.00	S04400EL90	S16400EL90

Stainless Steel

Patriot Industries ~ Office (434) 510-1776 ~ www.patriotsas.com
 Main HQ & Factory 1 - 205 Ferncliff Drive - Louisa, VA 23093
 Factory 2 - 13721 US 1 Plant 4/4A - Chester, VA 23831
 Factory 3 - 1033 Red Bluff Road - Pasadena, TX 77506



Quote Request

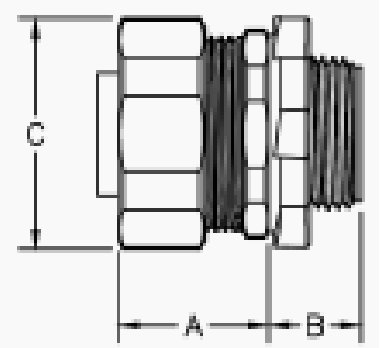
Stainless Steel Straight Liquid Tight Connector

- Precision Machined in 316 Stainless Steel to meet Sanitary Requirements
- Polished Finish to increase Corrosion Resistance
- 316 Stainless Steel Locknut and Neoprene O-ring included
- Manufactured to comply with UL Standards
- Temperature Ratings:
 - 316 Stainless Steel Body ~ approx. 1700°F
 - Internal Insulated Throat ~ approx. 350°F
 - Internal Plastic Ferrule ~ approx. 450°F
 - Neoprene O-ring – approx. 600°F
- Imported



Liquid Tight Straight Connector

Trade Size	A	B	C	Part Number
1/2"	0.930	0.571	1.220	LTC0015SS
3/4"	1.024	0.630	1.478	LTC0020SS
1"	1.063	0.827	1.724	LTC0025SS
1 1/4"	1.160	0.830	2.171	LTC0032SS
1 1/2"	1.221	0.849	2.388	LTC0040SS
2"	1.332	0.911	2.984	LTC0050SS
2 1/2"	1.949	1.192	3.878	LTC0065SS
3"	2.087	1.192	4.705	LTC0080SS
4"	2.205	1.192	5.787	LTC00100SS



Stainless Steel

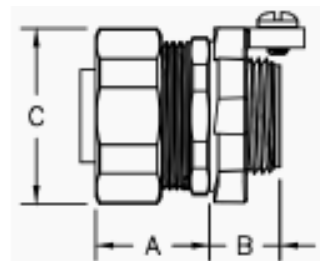
Stainless Steel Ground Straight Liquid Tight Connector

- Precision Machined in 316 Stainless Steel to meet Sanitary Requirements
- Polished Finish to increase Corrosion Resistance
- 316 Stainless Steel Locknut and Neoprene O-ring included
- Manufactured to comply with UL Standards
- Temperature Ratings:
 - 316 Stainless Steel Body ~ approx. 1700°F
 - Internal Insulated Throat ~ approx. 350°F
 - Internal Plastic Ferrule ~ approx. 450°F
 - Neoprene O-ring – approx. 600°F
- Imported



Liquid Tight Ground Straight Connector

Trade Size	A	B	C	Part Number
1/2"	0.930	0.571	1.220	LTGC0015SS
3/4"	1.024	0.630	1.478	LTGC0020SS
1"	1.063	0.827	1.724	LTGC0025SS
1 1/4"	1.160	0.830	2.171	LTGC0032SS
1 1/2"	1.221	0.849	2.388	LTGC0040SS
2"	1.332	0.911	2.984	LTGC0050SS
2 1/2"	1.949	1.192	3.878	LTGC0065SS
3"	2.087	1.192	4.705	LTGC0080SS
4"	2.205	1.192	5.787	LTGC00100SS

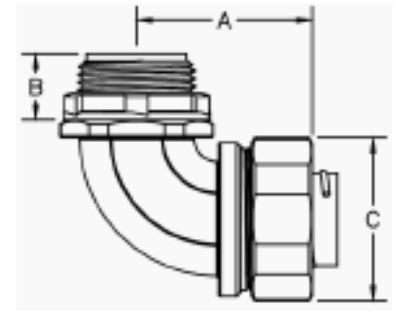


Patriot Industries ~ Office (434) 510-1776 ~ www.patriotsas.com
 Main HQ & Factory 1 - 205 Ferncliff Drive - Louisa, VA 23093
 Factory 2 - 13721 US 1 Plant 4/4A - Chester, VA 23831
 Factory 3 - 1033 Red Bluff Road - Pasadena, TX 77506



Stainless Steel 90° Liquid Tight Connector

- Precision Machined in 316 Stainless Steel to meet Sanitary Requirement
- Polished Finish to increase Corrosion Resistance
- 316 Stainless Steel Locknut and Neoprene O-ring included
- Manufactured to comply with UL Standards
- Temperature Ratings:
 - 316 Stainless Steel Body ~ approx. 1700°F
 - Internal Insulated Throat ~ approx. 350°F
 - Internal Plastic Ferrule ~ approx. 450°F
 - Neoprene O-ring – approx. 600°F
- Imported

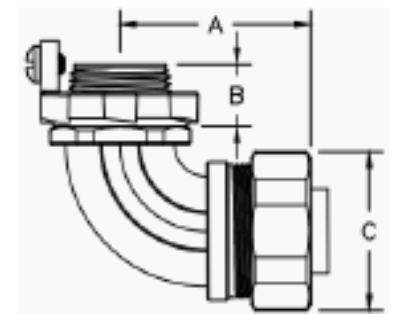


Liquid Tight 90 Connector				
Trade Size	A	B	C	Part Number
1/2"	1.712	0.571	1.280	LTC9015SS
3/4"	1.927	0.630	1.561	LTC9020SS
1"	2.047	0.827	1.811	LTC9025SS
1 1/4"	2.303	0.830	2.278	LTC9032SS
1 1/2"	2.480	0.849	2.547	LTC9040SS
2"	2.815	0.911	3.094	LTC9050SS

Stainless Steel

Stainless Steel Ground 90° Liquid Tight Connector

- Precision Machined in 316 Stainless Steel to meet Sanitary Requirements
- Polished Finish to increase Corrosion Resistance
- 316 Stainless Steel Locknut and Neoprene O-ring included
- Manufactured to comply with UL Standards
- Temperature Ratings:
 - 316 Stainless Steel Body ~ approx. 1700°F
 - Internal Insulated Throat ~ approx. 350°F
 - Internal Plastic Ferrule ~ approx. 450°F
 - Neoprene O-ring – approx. 600°F
- Imported



Liquid Tight Ground 90 Connector				
Trade Size	A	B	C	Part Number
1/2"	1.712	0.571	1.280	LTGC9015SS
3/4"	1.927	0.630	1.561	LTGC9020SS
1"	2.047	0.827	1.811	LTGC9025SS
1 1/4"	2.303	0.830	2.278	LTGC9032SS
1 1/2"	2.480	0.849	2.547	LTGC9040SS
2"	2.815	0.911	3.094	LTGC9050SS

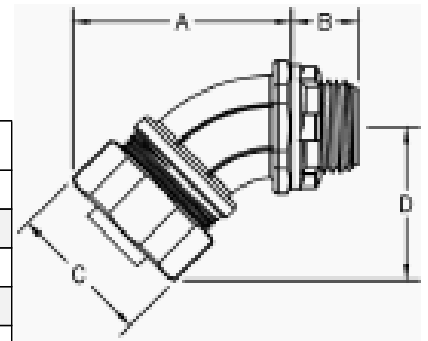
Patriot Industries ~ Office (434) 510-1776 ~ www.patriotsas.com
 Main HQ & Factory 1 - 205 Ferncliff Drive - Louisa, VA 23093
 Factory 2 - 13721 US 1 Plant 4/4A - Chester, VA 23831
 Factory 3 - 1033 Red Bluff Road - Pasadena, TX 77506



Quote Request

Stainless Steel 45° Liquid Tight Connector

- Precision Machined in 316 Stainless Steel to meet Sanitary Requirements
- Polished Finish to increase Corrosion Resistance
- 316 Stainless Steel Locknut and Neoprene O-ring included
- Manufactured to comply with UL Standards
- Temperature Ratings:
 - 316 Stainless Steel Body ~ approx. 1700°F
 - Internal Insulated Throat ~ approx. 350°F
 - Internal Plastic Ferrule ~ approx. 450°F
 - Neoprene O-ring – approx. 600°F
- Imported

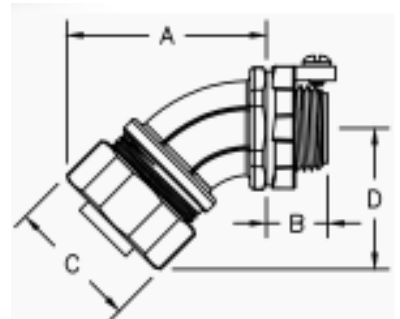


Liquid Tight 45 Connector				
Trade Size	A	B	C	Part Number
1/2"	1.940	0.571	1.280	LTC4515SS
3/4"	2.160	0.630	1.561	LTC4520SS
1"	2.566	0.827	1.811	LTC4525SS
1 1/4"	2.932	0.830	2.278	LTC4532SS
1 1/2"	3.048	0.849	2.547	LTC4540SS
2"	3.760	0.911	3.094	LTC4550SS

Stainless Steel

Stainless Steel Ground 45° Liquid Tight Connector

- Precision Machined in 316 Stainless Steel to meet Sanitary Requirements
- Polished Finish to increase Corrosion Resistance
- 316 Stainless Steel Locknut and Neoprene O-ring included
- Manufactured to comply with UL Standards
- Temperature Ratings:
 - 316 Stainless Steel Body ~ approx. 1700°F
 - Internal Insulated Throat ~ approx. 350°F
 - Internal Plastic Ferrule ~ approx. 450°F
 - Neoprene O-ring – approx. 600°F
- Imported



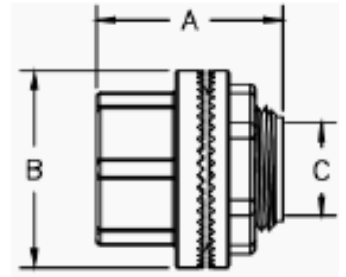
Liquid Tight Ground 45 Connector				
Trade Size	A	B	C	Part Number
1/2"	1.940	0.571	1.280	LTGC4515SS
3/4"	2.160	0.630	1.561	LTGC4520SS
1"	2.566	0.827	1.811	LTGC4525SS
1 1/4"	2.932	0.830	2.278	LTGC4532SS
1 1/2"	3.048	0.849	2.547	LTGC4540SS
2"	3.760	0.911	3.094	LTGC4550SS

Patriot Industries ~ Office (434) 510-1776 ~ www.patriotsas.com
 Main HQ & Factory 1 - 205 Ferncliff Drive - Louisa, VA 23093
 Factory 2 - 13721 US 1 Plant 4/4A - Chester, VA 23831
 Factory 3 - 1033 Red Bluff Road - Pasadena, TX 77506



Stainless Steel Watertight Hub

- Precision Machined in 316 Stainless Steel to meet Sanitary Requirements
- Polished Finish to increase Corrosion Resistance
- Neoprene O-ring included
- No minimum quantity required
- Manufactured to comply with UL514B/NEMA Standards
- NEC/CEC:
 - Class I, Division 2
 - Class II, Division 1 & 2
 - Class III, Division 1 & 2
- Imported

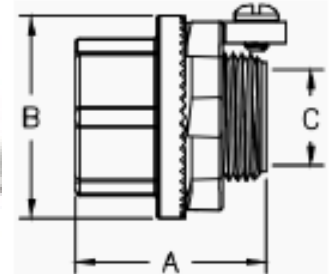


Watertight Hub				
Trade Size	A	B	C	Part Number
1/2"	1.575	1.457	0.591	WH50-SS
3/4"	1.583	1.673	0.783	WH75-SS
1"	1.791	1.988	0.996	WH100-SS
1 1/4"	1.929	2.402	1.311	WH125-SS
1 1/2"	2.008	1.717	1.530	WH150-SS
2"	2.087	3.228	1.964	WH200-SS
2 1/2"	2.697	3.740	2.346	WH250-SS
3"	2.736	4.370	2.915	WH300-SS
4"	2.992	5.433	3.821	WH400-SS

Stainless Steel

Stainless Steel Watertight Grounding Hub

- Precision Machined in 316 Stainless Steel to meet Sanitary Requirements
- Polished Finish to increase Corrosion Resistance
- Neoprene O-ring included
- No minimum quantity required
- Manufactured to comply with UL514B/NEMA Standards
- NEC/CEC:
 - Class I, Division 2
 - Class II, Division 1 & 2
 - Class III, Division 1 & 2
- Imported



Watertight Ground Hub				
Trade Size	A	B	C	Part Number
1/2"	1.575	1.457	0.591	WHG50-SS
3/4"	1.583	1.673	0.783	WHG75-SS
1"	1.791	1.988	0.996	WHG100-SS
1 1/4"	1.929	2.402	1.311	WHG125-SS
1 1/2"	2.008	1.717	1.530	WHG150-SS
2"	2.087	3.228	1.964	WHG200-SS
2 1/2"	2.697	3.740	2.346	WHG250-SS
3"	2.736	4.370	2.915	WHG300-SS
4"	2.992	5.433	3.821	WHG400-SS

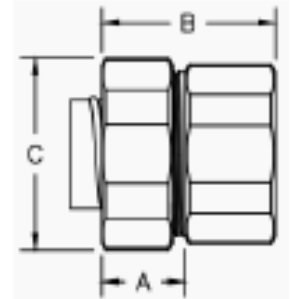
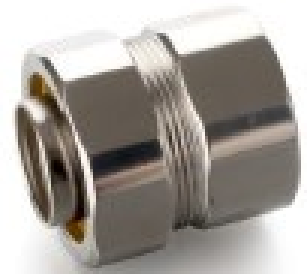
Patriot Industries ~ Office (434) 510-1776 ~ www.patriotsas.com
 Main HQ & Factory 1 - 205 Ferncliff Drive - Louisa, VA 23093
 Factory 2 - 13721 US 1 Plant 4/4A - Chester, VA 23831
 Factory 3 - 1033 Red Bluff Road - Pasadena, TX 77506



Quote Request

Stainless Steel LT Combination Coupling

- Precision Machined in 316 Stainless Steel to meet Sanitary Requirements
- Polished Finish to increase Corrosion Resistance
- No minimum quantity required
- Manufactured to comply with UL514B/NEMA Standards
- Imported

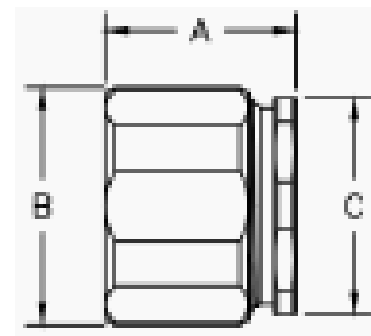


LT Combination Coupling				
Trade Size	A	B	C	Part Number
1/2"	0.805	1.550	1.283	LTR9015SS
3/4"	0.805	1.550	1.563	LTR9020SS
1"	0.866	1.811	1.811	LTR9025SS
1 1/4"	0.940	1.924	2.283	LTR9032SS
1 1/2"	1.020	2.044	2.551	LTR9040SS
2"	1.110	2.169	3.091	LTR9050SS

Stainless Steel

Stainless Steel 3 Piece Coupling

- Precision Machined in 316 Stainless Steel to meet Sanitary Requirements
- Polished Finish to increase Corrosion Resistance
- Designed for use with Threaded Stainless Steel Conduit
- Smooth Inside Diameter
- No minimum quantity required
- Manufactured to comply with UL514B/NEMA Standards
- Imported



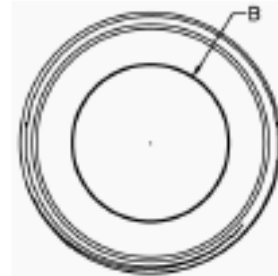
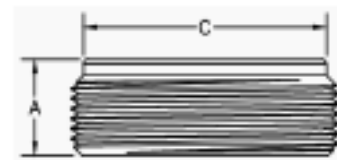
Three Piece Coupling				
Trade Size	A	B	C	Part Number
1/2"	1.102	1.260	1.181	3PC15SS
3/4"	1.122	1.499	1.260	3PC20SS
1"	1.370	1.728	1.571	3PC25SS
1 1/4"	1.909	2.283	2.118	3PC32SS
1 1/2"	1.929	2.126	2.244	3PC40SS
2"	1.480	3.110	2.913	3PC50SS

Patriot Industries ~ Office (434) 510-1776 ~ www.patriotsas.com
 Main HQ & Factory 1 - 205 Ferncliff Drive - Louisa, VA 23093
 Factory 2 - 13721 US 1 Plant 4/4A - Chester, VA 23831
 Factory 3 - 1033 Red Bluff Road - Pasadena, TX 77506



Stainless Steel Reducing Bushing

- Precision Machined in 316 Stainless Steel to meet Sanitary Requirements
- Polished Finish to increase Corrosion Resistance
- Designed for use with Threaded Stainless Steel Conduit
- No minimum quantity required
- Manufactured to comply with UL514B/NEMA Standards
- Imported



Stainless Steel

Reducing Bushing				
Trade Size	A	B	C	Part Number
3/4" x 1/2"	0.559	0.610	0.870	RB7550SS
1" x 1/2"	0.630	0.610	1.110	RB10050SS
1" x 3/4"	0.630	0.810	1.110	RB10075SS
1 1/4" x 1/2"	0.701	0.610	1.429	RB12550SS
1 1/4" x 3/4"	0.701	0.810	1.429	RB12575SS
1 1/4" x 1"	0.701	1.035	1.429	RB125100SS
1 1/2" x 1/2"	0.701	0.610	1.681	RB15050SS
1 1/2" x 3/4"	0.701	0.810	1.681	RB15075SS
1 1/2" x 1"	0.701	1.035	1.681	RB150100SS
1 1/2" x 1 1/4"	0.701	1.355	1.681	RB150125SS
2" x 1/2"	0.858	0.610	2.098	RB20050SS
2" x 3/4"	0.858	0.810	2.098	RB20075SS
2" x 1"	0.858	1.035	2.098	RB200100SS
2" x 1 1/4"	0.858	1.355	2.098	RB200125SS
2" x 1 1/2"	0.858	1.600	2.098	RB200150SS
2 1/2" x 1 1/4"	1.016	1.035	2.504	RB250125SS
2 1/2" x 1 1/2"	1.016	1.355	2.504	RB250150SS
2 1/2" x 2"	1.016	1.600	2.504	RB250200SS
3" x 1"	1.173	2.050	3.130	RB300100SS
3" x 1 1/4"	1.173	1.035	3.130	RB300125SS
3" x 1 1/2"	1.173	1.355	3.130	RB300150SS
3" x 2"	1.173	1.600	3.130	RB300200SS
3" x 2 1/2"	1.173	2.050	3.130	RB300250SS
4" x 2"	1.488	2.450	4.130	RB400200SS
4" x 2 1/2"	1.488	3.000	4.130	RB400250SS
4" x 3"	1.488	3.500	4.130	RB400300SS

Patriot Industries ~ Office (434) 510-1776 ~ www.patriotsas.com
 Main HQ & Factory 1 - 205 Ferncliff Drive - Louisa, VA 23093
 Factory 2 - 13721 US 1 Plant 4/4A - Chester, VA 23831
 Factory 3 - 1033 Red Bluff Road - Pasadena, TX 77506



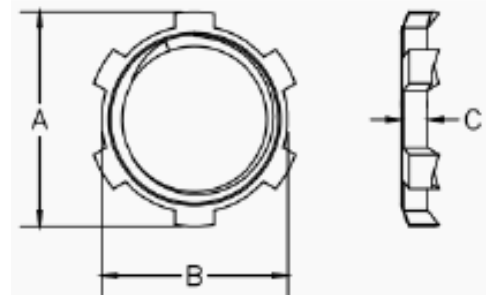
Quote Request

Stainless Steel Locknuts

- Precision Machined in 316 Stainless Steel to meet Sanitary Requirements
- Polished Finish to increase Corrosion Resistance
- No minimum quantity required
- Used to secure Stainless Steel Conduit or Connectors to Threadless Openings in a Box, Fitting, or Enclosure
- Manufactured to comply with UL514B/NEMA Standards
- Imported



Stainless Steel Locknut				
Trade Size	A	B	C	Part Number
1/2"	1.142	1.011	0.134	RLN15SS
3/4"	1.389	1.258	0.134	RLN20SS
1"	1.724	1.269	0.134	RLN25SS
1 1/4"	2.082	1.921	0.177	RLN32SS
1 1/2"	2.392	2.203	0.177	RLN40SS
2"	2.901	2.711	0.177	RLN50SS
2 1/2"	3.445	3.253	0.177	RLN65SS
3"	4.133	3.947	0.177	RLN80SS
4"	5.258	5.011	0.177	RLN100SS



Stainless Steel

Stainless Steel Rigid Drain Plug



- Precision Machined in 316 Stainless Steel to meet Sanitary Requirements
- Polished Finish to increase Corrosion Resistance
- Standard NPT Threads
- Made in USA



Stainless Steel Drain Plug				
Trade Size	Part Number	Body Bore	Max Knock Out Size	NEMA Rating
3/4"	RDC75SS	0.791	1.141	3R

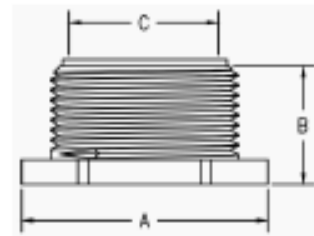
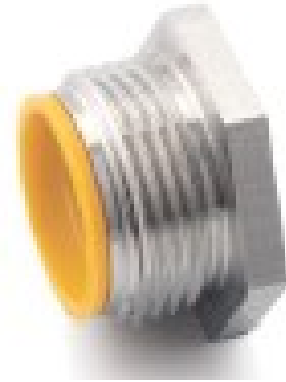
Patriot Industries ~ Office (434) 510-1776 ~ www.patriotsas.com
 Main HQ & Factory 1 - 205 Ferncliff Drive - Louisa, VA 23093
 Factory 2 - 13721 US 1 Plant 4/4A - Chester, VA 23831
 Factory 3 - 1033 Red Bluff Road - Pasadena, TX 77506



Stainless Steel Chase Nipple

- Precision Machined in 316 Stainless Steel to meet Sanitary Requirements
- Polished Finish to increase Corrosion Resistance
- Imported

Stainless Steel Chase Nipple				
Trade Size	A	B	C	Part Number
1/2"	1.063	0.563	0.591	CHN50-SS
3/4"	1.339	0.657	0.783	CHN75-SS
1"	1.646	0.965	0.997	CHN100-SS
1 1/4"	2.126	1.031	1.311	CHN125-SS
1 1/2"	2.394	1.150	1.530	CHN150-SS
2"	2.921	1.189	1.964	CHN200-SS
2 1/2"	3.602	1.437	2.346	CHN250-SS
3"	4.413	1.555	2.915	CHN300-SS
4"	5.531	1.752	3.824	CHN400-SS

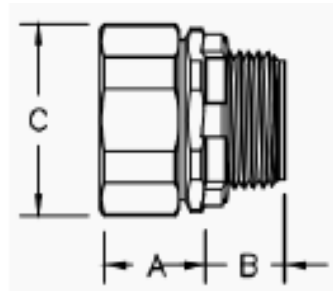


Stainless Steel

Stainless Steel Rigid Compression Connector

- Precision Machined in 316 Stainless Steel to meet Sanitary Requirements
- Polished Finish to increase Corrosion Resistance
- Imported

Stainless Steel Rigid Compression Connector				
Trade Size	A	B	C	Part Number
1/2"	0.810	0.571	1.172	RCC015SS
3/4"	0.887	0.601	1.461	RCC020SS
1"	0.992	0.638	1.724	RCC025SS
1 1/4"	1.195	0.744	2.171	RCC032SS
1 1/2"	1.251	0.771	2.388	RCC040SS
2"	1.256	0.835	2.914	RCC050SS

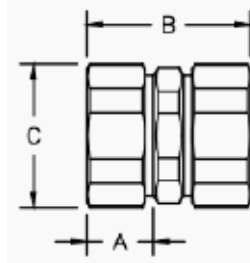


Stainless Steel Rigid Compression Coupling

- Precision Machined in 316 Stainless Steel to meet Sanitary Requirements
- Polished Finish to increase Corrosion Resistance
- Imported



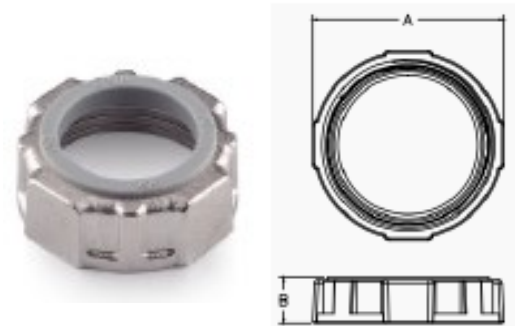
Stainless Steel Rigid Compression Coupling				
Trade Size	A	B	C	Part Number
1/2"	0.776	1.813	1.172	RCK015SS
3/4"	0.887	1.875	1.461	RCK020SS
1"	0.992	2.188	1.724	RCK025SS
1 1/4"	1.195	2.652	2.171	RCK032SS
1 1/2"	1.251	2.688	2.388	RCK040SS
2"	1.295	3.063	2.914	RCK050SS



Stainless Steel Conduit Bushing

- Precision Machined in 316 Stainless Steel to meet Sanitary Requirements
- Imported

Stainless Steel Conduit Bushing			
Trade Size	A	B	Part Number
1/2"	1.071	0.448	RGU15SS
3/4"	1.282	0.507	RGU20SS
1"	1.567	0.625	RGU25SS
1 1/4"	2.022	0.679	RGU32SS
1 1/2"	2.303	0.742	RGU40SS
2"	2.887	0.773	RGU50SS
2 1/2"	3.374	0.910	RGU65SS
3"	3.971	1.011	RGU80SS
4"	5.018	1.072	RGU100SS

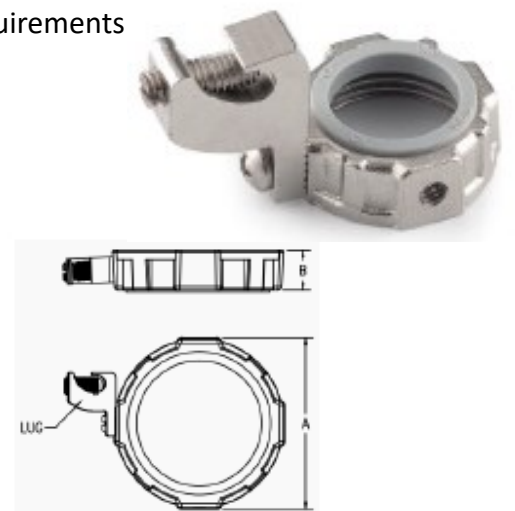


Stainless Steel

Stainless Steel Conduit Ground Bushing

- Precision Machined in 316 Stainless Steel to meet Sanitary Requirements
- Imported

Stainless Steel Conduit Ground Bushing				
Trade Size	A	B	C	Part Number
1/2"	1.071	0.448	4-14AL	RGB15SS
3/4"	1.282	0.507	4-14AL	RGB20SS
1"	1.567	0.625	4-14AL	RGB25SS
1 1/4"	2.022	0.679	4-14AL	RGB32SS
1 1/2"	2.303	0.742	4-14AL	RGB40SS
2"	2.887	0.773	4-14AL	RGB50SS
2 1/2"	3.374	0.910	1/0-8AL	RGB65SS
3"	3.971	1.011	1/0-8AL	RGB80SS
4"	5.018	1.072	1/0-8AL	RGB100SS



Patriot Industries ~ Office (434) 510-1776 ~ www.patriotsas.com
 Main HQ & Factory 1 - 205 Ferncliff Drive - Louisa, VA 23093
 Factory 2 - 13721 US 1 Plant 4/4A - Chester, VA 23831
 Factory 3 - 1033 Red Bluff Road - Pasadena, TX 77506

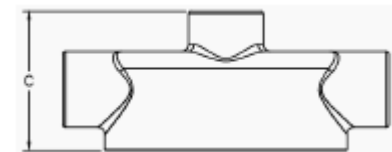
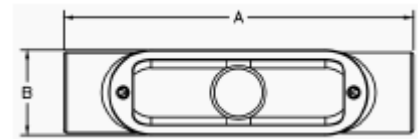


Stainless Steel TB Conduit Body

- Precision Machined in 316 Stainless Steel to meet Sanitary Requirements
- Approved for Wet Locations when Installed with Cover and Gasket
- Patriot Magnum™ Form 8 Design offers Increased Internal Volume
- Polished Finish to increase Corrosion Resistance
- Cover and Neoprene Gasket Included
- IP: NEMA 3R
- Imported



316 Stainless Steel - TB Conduit Body				
Trade Size	A	B	C	Part Number
1/2"	5.953	1.446	2.277	T18SS
3/4"	6.686	1.647	2.536	T28SS
1"	7.566	1.845	2.987	T38SS
1 1/4"	8.815	2.237	3.298	T48SS
1 1/2"	10.186	2.808	3.677	T58SS
2"	12.355	4.927	4.655	T68SS



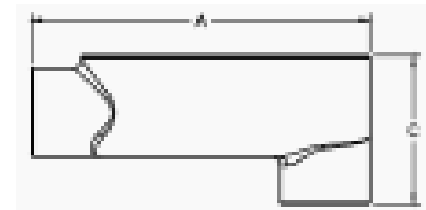
Stainless Steel

Stainless Steel LB Conduit Body

- Precision Machined in 316 Stainless Steel to meet Sanitary Requirements
- Approved for Wet Locations when Installed with Cover and Gasket
- Patriot Magnum™ Form 8 Design offers Increased Internal Volume
- Polished Finish to increase Corrosion Resistance
- Cover and Neoprene Gasket Included
- IP: NEMA 3R
- Imported



316 Stainless Steel - LB Conduit Body				
Trade Size	A	B	C	Part Number
1/2"	5.128	1.446	2.277	LB18SS
3/4"	5.796	1.647	2.536	LB28SS
1"	6.598	1.845	2.987	LB38SS
1 1/4"	7.746	2.237	3.298	LB48SS
1 1/2"	9.055	2.808	3.677	LB58SS
2"	11.075	4.927	4.655	LB68SS
2 1/2"	14.148	5.195	5.565	LB78SS
3"	14.208	5.195	6.197	LB88SS
4"	16.925	6.339	7.195	LB108SS



Patriot Industries ~ Office (434) 510-1776 ~ www.patriotsas.com
 Main HQ & Factory 1 - 205 Ferncliff Drive - Louisa, VA 23093
 Factory 2 - 13721 US 1 Plant 4/4A - Chester, VA 23831
 Factory 3 - 1033 Red Bluff Road - Pasadena, TX 77506



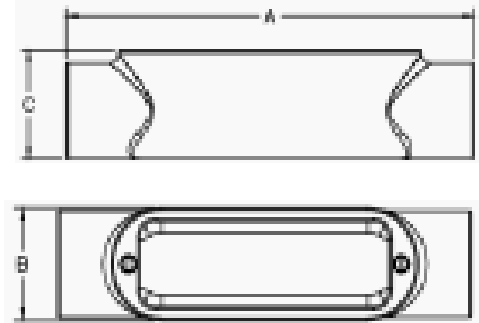
Quote Request

Stainless Steel C Conduit Body

- Precision Machined in 316 Stainless Steel to meet Sanitary Requirements
- Approved for Wet Locations when Installed with Cover and Gasket
- Patriot Magnum™ Form 8 Design offers Increased Internal Volume
- Polished Finish to increase Corrosion Resistance
- Cover and Neoprene Gasket Included
- IP: NEMA 3R
- Imported



316 Stainless Steel - C Conduit Body				
Trade Size	A	B	C	Part Number
1/2"	5.953	1.446	1.455	C18SS
3/4"	6.686	1.647	1.706	C28SS
1"	7.357	1.845	1.979	C38SS
1 1/4"	8.815	2.237	2.307	C48SS
1 1/2"	10.186	2.808	2.795	C58SS
2"	12.355	4.927	3.556	C68SS



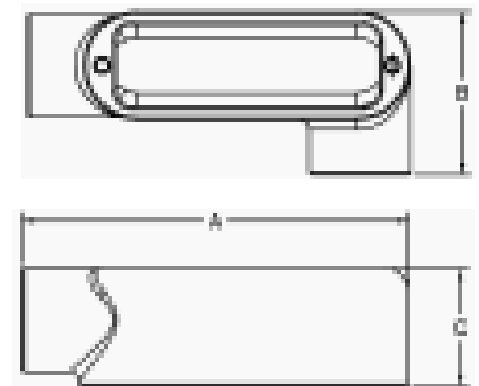
Stainless Steel

Stainless Steel LL Conduit Body

- Precision Machined in 316 Stainless Steel to meet Sanitary Requirements
- Approved for Wet Locations when Installed with Cover and Gasket
- Patriot Magnum™ Form 8 Design offers Increased Internal Volume
- Polished Finish to increase Corrosion Resistance
- Cover and Neoprene Gasket Included
- IP: NEMA 3R
- Imported



316 Stainless Steel - LL Conduit Body				
Trade Size	A	B	C	Part Number
1/2"	5.128	2.257	1.446	LL18SS
3/4"	5.796	2.435	1.647	LL28SS
1"	6.598	2.784	1.845	LL38SS
1 1/4"	7.746	3.241	2.237	LL48SS
1 1/2"	9.055	3.805	2.808	LL58SS
2"	11.075	4.916	4.927	LL68SS



Patriot Industries ~ Office (434) 510-1776 ~ www.patriotsas.com
 Main HQ & Factory 1 - 205 Ferncliff Drive - Louisa, VA 23093
 Factory 2 - 13721 US 1 Plant 4/4A - Chester, VA 23831
 Factory 3 - 1033 Red Bluff Road - Pasadena, TX 77506

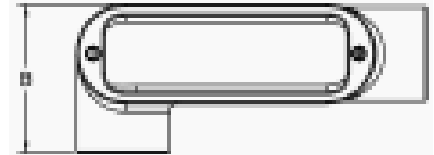


Stainless Steel LR Conduit Body

- Precision Machined in 316 Stainless Steel to meet Sanitary Requirements
- Approved for Wet Locations when Installed with Cover and Gasket
- Patriot Magnum™ Form 8 Design offers Increased Internal Volume
- Polished Finish to increase Corrosion Resistance
- Cover and Neoprene Gasket Included
- IP: NEMA 3R
- Imported



316 Stainless Steel - LR Conduit Body				
Trade Size	A	B	C	Part Number
1/2"	5.128	2.257	1.446	LR18SS
3/4"	5.796	2.435	1.647	LR28SS
1"	6.598	2.784	1.845	LR38SS
1 1/4"	7.746	3.241	2.237	LR48SS
1 1/2"	9.055	3.805	2.808	LR58SS
2"	11.075	4.916	4.927	LR68SS



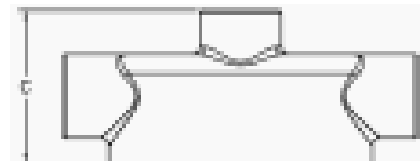
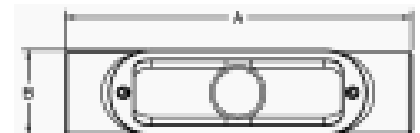
Stainless Steel

Stainless Steel T Conduit Body

- Precision Machined in 316 Stainless Steel to meet Sanitary Requirements
- Approved for Wet Locations when Installed with Cover and Gasket
- Patriot Magnum™ Form 8 Design offers Increased Internal Volume
- Polished Finish to increase Corrosion Resistance
- Cover and Neoprene Gasket Included
- IP: NEMA 3R
- Imported



316 Stainless Steel - T Conduit Body				
Trade Size	A	B	C	Part Number
1/2"	5.953	2.239	1.455	T18SS
3/4"	6.686	2.457	1.706	T28SS
1"	7.566	2.776	1.979	T38SS
1 1/4"	8.815	3.188	2.307	T48SS
1 1/2"	10.186	3.795	2.795	T58SS
2"	12.355	4.927	3.556	T68SS
2 1/2"	16.116	6.689	3.921	T78SS
3"	16.236	6.749	4.355	T88SS
4"	18.646	8.031	5.447	T108SS



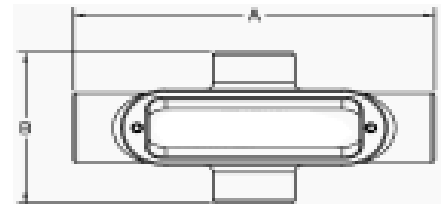
Patriot Industries ~ Office (434) 510-1776 ~ www.patriotsas.com
 Main HQ & Factory 1 - 205 Ferncliff Drive - Louisa, VA 23093
 Factory 2 - 13721 US 1 Plant 4/4A - Chester, VA 23831
 Factory 3 - 1033 Red Bluff Road - Pasadena, TX 77506



Quote Request

Stainless Steel X Type Conduit Body

- Precision Machined in 316 Stainless Steel to meet Sanitary Requirements
- Approved for Wet Locations when Installed with Cover and Gasket
- Patriot Magnum™ Form 8 Design offers Increased Internal Volume
- Polished Finish to increase Corrosion Resistance
- Cover and Neoprene Gasket Included
- IP: NEMA 3R
- Imported



316 Stainless Steel - X Type Conduit Body				
Trade Size	A	B	C	Part Number
1/2"	5.953	3.815	1.455	X18SS
3/4"	6.686	3.293	1.706	X28SS
1"	7.566	3.796	1.979	X38SS
1 1/4"	8.815	4.118	2.307	X48SS
1 1/2"	10.186	4.787	2.795	X58SS
2"	12.355	6.039	3.556	X68SS

Stainless Steel

Patriot Industries ~ Office (434) 510-1776 ~ www.patriotsas.com
 Main HQ & Factory 1 - 205 Ferncliff Drive - Louisa, VA 23093
 Factory 2 - 13721 US 1 Plant 4/4A - Chester, VA 23831
 Factory 3 - 1033 Red Bluff Road - Pasadena, TX 77506

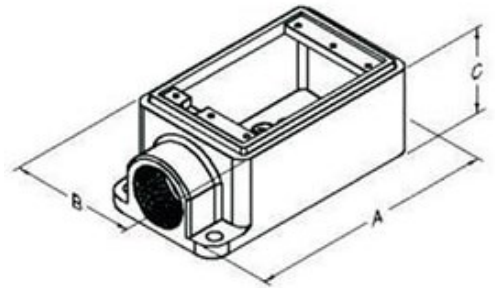


Stainless Steel Device Box

- Precision Machined in 316 Stainless Steel to meet Sanitary Requirements
- Approved for Wet Locations when Installed with Cover and Gasket
- Patriot Magnum™ Form 8 Design offers Increased Internal Volume
- Polished Finish to increase Corrosion Resistance
- Cover and Neoprene Gasket Included
- IP: NEMA 3R
- Imported



316 Stainless Steel - FD Box				
Trade Size	A	B	C	Part Number
3/4"	6.172	3.089	2.896	FD2SS
3/4"	6.163	3.089	2.896	FDC2SS
3/4"	5.348	3.089	2.896	FDS2SS
3/4"	4.540	3.089	2.896	FDA2SS
3/4"	6.151	4.710	2.896	FDX2SS



Stainless Steel

Stainless Steel Box Covers

- Precision Machined in 316 Stainless Steel to meet Sanitary Requirements
- Approved for Wet Locations when Installed with Cover and Gasket
- Polished Finish to increase Corrosion Resistance
- Imported

SWCS2SS



FBCS2SS



RCS2SS



FBCM2SS



Patriot Industries ~ Office (434) 510-1776 ~ www.patriotsas.com
 Main HQ & Factory 1 - 205 Ferncliff Drive - Louisa, VA 23093
 Factory 2 - 13721 US 1 Plant 4/4A - Chester, VA 23831
 Factory 3 - 1033 Red Bluff Road - Pasadena, TX 77506



Quote Request

Stainless Steel GUA

- Precision Machined in 316 Stainless Steel to meet Sanitary Requirements
- Polished Finish to increase Corrosion Resistance
- Imported

316 Stainless Steel - GUA		
Trade Size	Cover Opening	Part Number
3/4"	3.000	GUAB26SS
1"	3.000	GUAB36SS
3/4"	3.000	GUAC26SS
1"	3.000	GUAC36SS
3/4"	3.000	GUAT26SS
1"	3.000	GUAT36SS
3/4"	3.000	GUAX26SS
1"	3.000	GUAX36SS
3/4"	3.000	GUAL26SS
1"	3.000	GUAL36SS



Stainless Steel UNY

- Precision Machined in 316 Stainless Steel to meet Sanitary Requirements
- Polished Finish to increase Corrosion Resistance
- Imported

316 Stainless Steel - UNY				
Trade Size	A	B	C	Part Number
1/2"	1.378	1.378	2.453	UNY15
3/4"	1.634	1.673	2.618	UNY20
1"	1.752	2.008	2.854	UNY25



Stainless Steel UNF

- Precision Machined in 316 Stainless Steel to meet Sanitary Requirements
- Polished Finish to increase Corrosion Resistance
- Imported

316 Stainless Steel - UNF				
Trade Size	A	B	C	Part Number
1/2"	1.378	1.378	1.843	UNF15
3/4"	1.634	1.673	1.949	UNF20
1"	1.752	2.008	2.087	UNF25



Stainless Steel

Patriot Industries ~ Office (434) 510-1776 ~ www.patriotsas.com
 Main HQ & Factory 1 - 205 Ferncliff Drive - Louisa, VA 23093
 Factory 2 - 13721 US 1 Plant 4/4A - Chester, VA 23831
 Factory 3 - 1033 Red Bluff Road - Pasadena, TX 77506



Stainless Steel EYS

- Precision Machined in 316 Stainless Steel to meet Sanitary Requirements
- Polished Finish to increase Corrosion Resistance
- Imported

Stainless Steel EYS				
Trade Size	A	B	Turning Radius	Part Number
3/4"	3.658	1.504	1.244	EYS21SS
1"	4.266	1.768	1.457	EYS31SS



Stainless Steel REA

- Precision Machined in 316 Stainless Steel to meet Sanitary Requirement
- Polished Finish to increase Corrosion Resistance
- Imported

Stainless Steel REA		
Male Size	Female Size	Part Number
1/2"	3/4"	REA12SS
3/4"	1"	REA23SS
1"	1 1/4"	REA34SS



Stainless Steel

Stainless Steel Plug (Recessed)

- Precision Machined in 316 Stainless Steel to meet Sanitary Requirements
- Polished Finish to increase Corrosion Resistance
- Imported

Stainless Steel Plug	
Trade Size	Part Number
1/2"	PLG1SS
3/4"	PLG2SS
1"	PLG3SS



Patriot Industries ~ Office (434) 510-1776 ~ www.patriotsas.com
 Main HQ & Factory 1 - 205 Ferncliff Drive - Louisa, VA 23093
 Factory 2 - 13721 US 1 Plant 4/4A - Chester, VA 23831
 Factory 3 - 1033 Red Bluff Road - Pasadena, TX 77506



Quote Request

Stainless Steel Strut Channel

- Precision Machined in 316 Stainless Steel to meet Sanitary Requirements
- Imported

Stainless Steel Strut Channel			
Gauge	Size	Style	Part Number
12	1 5/8" x 3 1/4"	Smooth	A12ASS
12	1 5/8" x 1 5/8"	Smooth	A12SS
12	1 5/8" x 1 5/8"	Slotted	A12SSS
12	1 5/8" x 13/16"	Smooth	C14SS
12	1 5/8" x 13/16"	Slotted	C14SSS

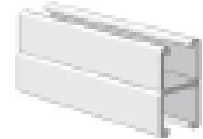
A12SS



A12SSS



A12ASS



C14SS



C14SSS



Stainless Steel Continuous Threaded Rod

- Precision Machined in 316 Stainless Steel to meet Sanitary Requirements
- Imported

SS Continuous Threaded Rod	
Trade Size	Part Number
1/4" X 10'	FTR25SS
3/8" X 10'	FTR38SS
1/2" X 10'	FTR50SS



Stainless Steel

Stainless Steel Nut with Spring

- Precision Machined in 316 Stainless Steel to meet Sanitary Requirements
- Imported



SS Nut with Spring	
Trade Size	Part Number
1/4"	FNS25SS
3/8"	FNS38SS
1/2"	FNS50SS

Stainless Steel Rod Coupling

- Precision Machined in 316 Stainless Steel to meet Sanitary Requirements
- Imported



SS Rod Coupling	
Trade Size	Part Number
1/4"	FRC25SS
3/8"	FRC38SS
1/2"	FRC50SS

Patriot Industries ~ Office (434) 510-1776 ~ www.patriotsas.com
 Main HQ & Factory 1 - 205 Ferncliff Drive - Louisa, VA 23093
 Factory 2 - 13721 US 1 Plant 4/4A - Chester, VA 23831
 Factory 3 - 1033 Red Bluff Road - Pasadena, TX 77506



Stainless Steel Rigid Strut Clamp

- Precision Machined in 316 Stainless Steel to meet Sanitary Requirements
- Polished Finish to increase Corrosion Resistance
- Designed for use with 1 5/8" Stainless Steel Strut Channel
- Comes with Stainless Nut and Bolt
- No minimum quantity required
- Manufactured to comply with UL514B/NEMA Standards
- Imported

Stainless Steel Rigid Strut Strap			
Trade Size	Bolt Size	Weight Each	Part Number
1/2"	1/4-20 x 3/4"	0.100	STR50-SS
3/4"	1/4-20 x 3/4"	0.120	STR75-SS
1"	1/4-20 x 3/4"	0.150	STR100-SS
1 1/4"	1/4-20 x 3/4"	0.172	STR125-SS
1 1/2"	5/16-18 x 1"	0.290	STR150-SS
2"	5/16-18 x 1"	0.330	STR200-SS
2 1/2"	5/16-18 x 1"	0.380	STR250-SS
3"	5/16-18 x 1"	0.439	STR300-SS
4"	3/8-16 x 1 1/4"	0.617	STR400-SS



Stainless Steel

Stainless Steel Conduit Hanger

- Precision Machined in 316 Stainless Steel to meet Sanitary Requirements
- Manufactured to comply with UL514B/NEMA Standards
- Imported

Stainless Steel Conduit Hanger	
Trade Size	Part Number
1/2"	CLH15SS
3/4"	CLH20SS
1"	CLH25SS
1 1/4"	CLH32SS
1 1/2"	CLH40SS
2"	CLH50SS
2 1/2"	CLH65SS
3"	CLH80SS
4"	CLH100SS



Patriot Industries ~ Office (434) 510-1776 ~ www.patriotsas.com
 Main HQ & Factory 1 - 205 Ferncliff Drive - Louisa, VA 23093
 Factory 2 - 13721 US 1 Plant 4/4A - Chester, VA 23831
 Factory 3 - 1033 Red Bluff Road - Pasadena, TX 77506



Quote Request

Stainless Steel 1 Hole Strap

- Precision Machined in 316 Stainless Steel to meet Sanitary Requirements
- Polished Finish to increase Corrosion Resistance
- Imported

SS One Hole Strap	
Trade Size	Part Number
1/2"	RSS15SS
3/4"	RSS20SS
1"	RSS25SS
1 1/4"	RSS32SS
1 1/2"	RSS40SS
2"	RSS50SS
2 1/2"	RSS65SS
3"	RSS80SS
4"	RSS100SS



Stainless Steel

Stainless Steel 2 Hole Strap

- Precision Machined in 316 Stainless Steel to meet Sanitary Requirements
- Polished Finish to increase Corrosion Resistance
- Standard NPT Threads
- Made in USA

SS Two Hole Strap	
Trade Size	Part Number
1/2"	THSSR-50
3/4"	THSSR-75
1"	THSSR-100
1 1/4"	THSSR-125
1 1/2"	THSSR-150
2"	THSSR-200
2 1/2"	THSSR-250
3"	THSSR-300
4"	THSSR-400



Patriot Industries ~ Office (434) 510-1776 ~ www.patriotsas.com
Main HQ & Factory 1 - 205 Ferncliff Drive - Louisa, VA 23093
Factory 2 - 13721 US 1 Plant 4/4A - Chester, VA 23831
Factory 3 - 1033 Red Bluff Road - Pasadena, TX 77506



Stainless Steel U-Bolts

- Precision Machined in 316 Stainless Steel to meet Sanitary Requirements
- Polished Finish to increase Corrosion Resistance
- Figure 137 Style
- Two type 316 Stainless Steel Hex Nuts are Included
- No minimum quantity required
- Manufactured to comply with UL514B/NEMA Standards
- Imported

Stainless Steel U-Bolt	
Trade Size	Part Number
1/2"	CLU15SS
3/4"	CLU20SS
1"	CLU25SS
1 1/4"	CLU32SS
1 1/2"	CLU40SS
2"	CLU50SS
2 1/2"	CLU65SS
3"	CLU80SS
4"	CLU100SS



Stainless Steel

Stainless Steel Right Angle Clamp

- Precision Machined in 316 Stainless Steel to meet Sanitary Requirements
- Manufactured to comply with UL514B/NEMA Standards
- Imported

SS Right Angle Clamp	
Trade Size	Part Number
1/2"	RAN15SS
3/4"	RAN20SS
1"	RAN25SS
1 1/4"	RAN32SS
1 1/2"	RAN40SS
2"	RAN50SS
2 1/2"	RAN65SS
3"	RAN80SS
4"	RAN100SS



Patriot Industries ~ Office (434) 510-1776 ~ www.patriotsas.com
 Main HQ & Factory 1 - 205 Ferncliff Drive - Louisa, VA 23093
 Factory 2 - 13721 US 1 Plant 4/4A - Chester, VA 23831
 Factory 3 - 1033 Red Bluff Road - Pasadena, TX 77506



Quote Request

Stainless Steel Parallel Clamp

- Precision Machined in 316 Stainless Steel to meet Sanitary Requirements
- Manufactured to comply with UL514B/NEMA Standards
- Imported

SS Parallel Clamp	
Trade Size	Part Number
3/4"	PAR20SS
1"	PAR25SS



Stainless Steel

Stainless Steel Beam Clamp

- Precision Machined in 316 Stainless Steel to meet Sanitary Requirements
- Manufactured to comply with UL514B/NEMA Standards
- Imported

Stainless Steel Beam Clamp		
Part Number	Trade Size	Rod Size
500SS	1"	1/4" - 20
502SS	2"	3/8" - 16
503SS	2 1/4"	1/2" - 13



Patriot Industries ~ Office (434) 510-1776 ~ www.patriotsas.com
 Main HQ & Factory 1 - 205 Ferncliff Drive - Louisa, VA 23093
 Factory 2 - 13721 US 1 Plant 4/4A - Chester, VA 23831
 Factory 3 - 1033 Red Bluff Road - Pasadena, TX 77506



Stainless Steel Strut Accessories

- Precision Machined in 316 Stainless Steel to meet Sanitary Requirements
- Manufactured to comply with UL514B/NEMA Standards
- Imported



902-1SS
SS Standard Post Base



902-2SS
SS 45° Offset Post Base



PS855SS
SS Right angle beam clamp



B116SS
SS Three Hole U-Support



B143SS
SS 4-Hole Flat Angle



B341SS
SS 4-Hole Splice Plate



B341SS
SS 4-Hole Splice Plate



B140SS
SS 3-Hole Flat Angle



B101SS
SS 2-Hole 90° Angle



B133SS
SS Tee Plate



B115SS
SS 4-Hole 90° Angle



PS619SS
SS Square Washers

Stainless Steel

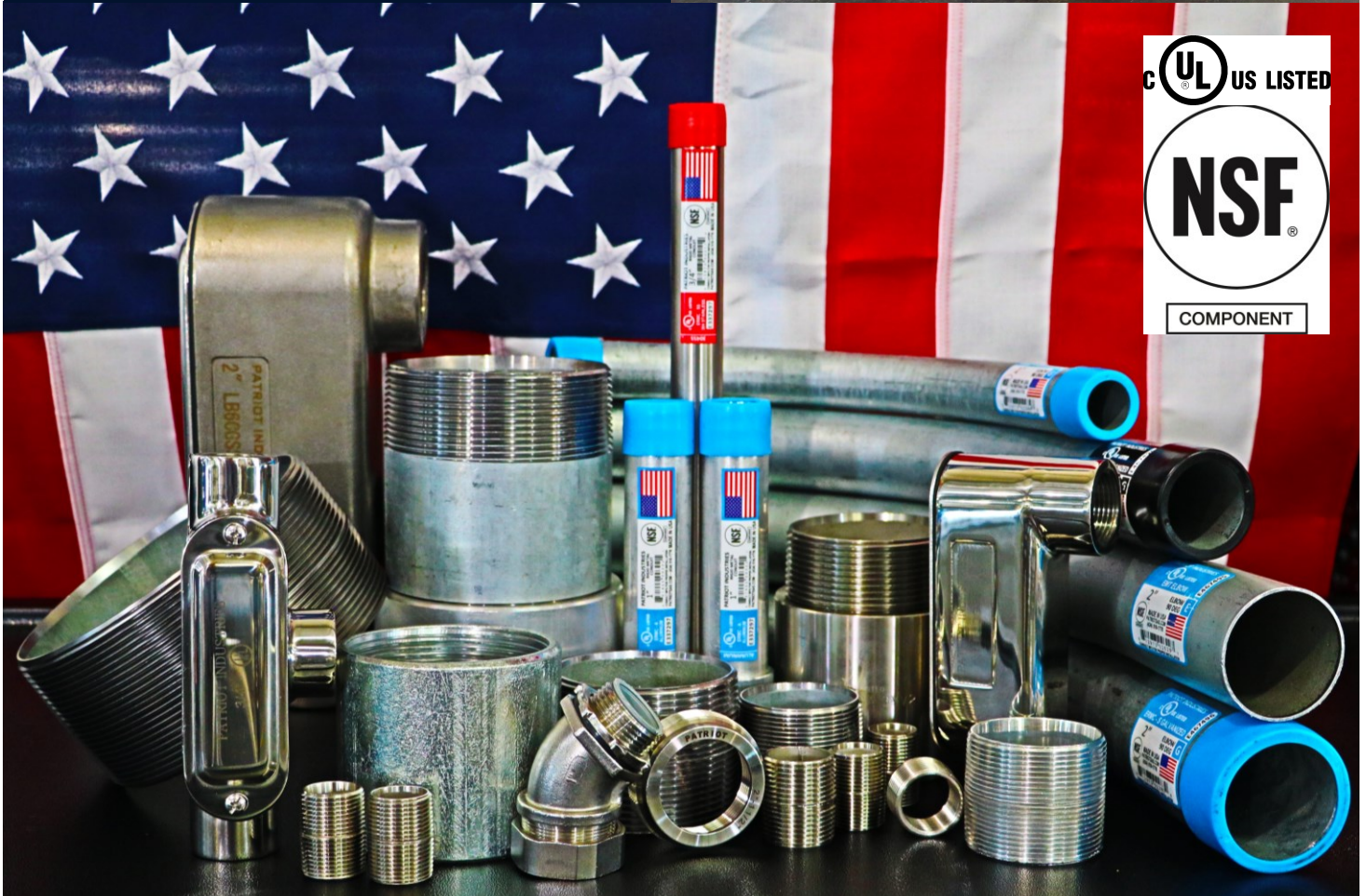
Patriot Industries ~ Office (434) 510-1776 ~ www.patriotsas.com
 Main HQ & Factory 1 - 205 Ferncliff Drive - Louisa, VA 23093
 Factory 2 - 13721 US 1 Plant 4/4A - Chester, VA 23831
 Factory 3 - 1033 Red Bluff Road - Pasadena, TX 77506



Quote Request

PATRIOT

ALUMINUM PRODUCTS



Aluminum



- Rigid Aluminum Conduit, Nipples, Elbows, and Couplings
- No Freight and No Minimums when it rides on Patriot Blue™
- Manufactured in Virginia & Texas

Typical Applications for Aluminum Conduit

Application	Aluminum Conduit Preference									
	Material Cost	Installation Labor Cost	Weight	Freight Savings	Corrosion Resistance	Non-Sparking	Voltage Drop	Rust Free	Non-Magnetic	Heat Buildup
General Industrial	•	•	•	•	•			•		
General Commercial	•	•	•					•		
Bridges/Tunnels	•	•	•		•			•		
Chemical Plants	•	•	•	•	•	•	•	•		•
Food Processing	•	•	•	•	•	•		•		•
High Voltage Installations	•	•	•				•	•	•	•
Natural Gas Processing/Pump Stations	•	•	•	•		•		•		
Oil Refineries	•	•	•	•	•	•		•		•
Power Plants	•	•	•	•	•		•	•	•	•
Pulp/Paper Mills	•	•	•		•	•		•		•
Rooftop HVAC	•	•	•		•			•		
Telecom	•	•	•		•			•	•	•
Textile Mills	•	•	•	•	•	•		•		•
Transportation Manufacturers	•	•	•	•	•			•		
Wastewater/Water Treatment	•	•	•	•	•	•		•		•

Aluminum



PATRIOT
ALUMINUM PRODUCTS



Rigid Aluminum Versus Rigid Steel

Material Cost Savings when Using Aluminum

Trade Size	2024 Material Cost Savings		
	\$ Savings per 100 Feet	\$ Savings per 1,000 Feet	\$ Savings per 10,000 Feet
1/2"	\$ 74.61	\$ 746.10	\$ 7,461.00
3/4"	\$ 49.39	\$ 493.90	\$ 4,939.00
1"	\$ 94.94	\$ 949.40	\$ 9,494.00
1 1/4"	\$ 167.54	\$ 1,675.40	\$ 16,754.00
1 1/2"	\$ 162.47	\$ 1,624.70	\$ 16,247.00
2"	\$ 168.54	\$ 1,685.40	\$ 16,854.00
2 1/2"	\$ 431.51	\$ 4,315.10	\$ 43,151.00
3"	\$ 381.84	\$ 3,818.40	\$ 38,184.00
3 1/2"	\$ 587.13	\$ 5,871.30	\$ 58,713.00
4"	\$ 500.78	\$ 5,007.80	\$ 50,078.00
5"	\$ 1,510.30	\$ 15,103.00	\$ 151,030.00
6"	\$ 1,951.70	\$ 19,517.00	\$ 195,170.00

Based on Market Prices from the Major Steel & Aluminum Conduit Producers

Additional Aluminum Conduit Advantages

	Steel	PVC Coated Steel	Stainless Steel	Aluminum
Material Cost	High	Higher	Highest	Lowest
Installation Speed	Slow	Slowest	Slow	Fastest
Weight per 10 Ft	High	Highest	High	Lowest
Non-Sparking	No	No	No	Yes
Non-Magnetic	No	No	Maybe	Yes
Rust Free	No	Maybe	Maybe	Yes
Voltage Drop	High	High	High	Low
Heat Build Up	High	High	High	Low
Wears Out Your Tools	Yes	Yes	Yes	No

Aluminum

PATRIOT
ALUMINUM PRODUCTS



Aluminum Conduit Savings Calculator

2024 Material Cost Savings				Installation Labor Cost Savings				
Trade Size	\$ Savings per 100 Feet	\$ Savings per 1,000 Feet	\$ Savings per 10,000 Feet	Average Wage	Hours Saved per 100 Feet	\$ Savings per 100 Feet	\$ Savings per 1,000 Feet	\$ Savings per 10,000 Feet
1/2"	\$ 74.61	\$ 746.10	\$ 7,461.00	\$ 45.00	0.40	\$ 18.00	\$ 180.00	\$ 1,800.00
3/4"	\$ 49.39	\$ 493.90	\$ 4,939.00	\$ 45.00	0.50	\$ 22.50	\$ 225.00	\$ 2,250.00
1"	\$ 94.94	\$ 949.40	\$ 9,494.00	\$ 45.00	0.80	\$ 36.00	\$ 360.00	\$ 3,600.00
1 1/4"	\$ 167.54	\$ 1,675.40	\$ 16,754.00	\$ 45.00	3.00	\$ 135.00	\$ 1,350.00	\$ 13,500.00
1 1/2"	\$ 162.47	\$ 1,624.70	\$ 16,247.00	\$ 45.00	4.50	\$ 202.50	\$ 2,025.00	\$ 20,250.00
2"	\$ 168.54	\$ 1,685.40	\$ 16,854.00	\$ 45.00	6.00	\$ 270.00	\$ 2,700.00	\$ 27,000.00
2 1/2"	\$ 431.51	\$ 4,315.10	\$ 43,151.00	\$ 45.00	8.00	\$ 360.00	\$ 3,600.00	\$ 36,000.00
3"	\$ 381.84	\$ 3,818.40	\$ 38,184.00	\$ 45.00	9.50	\$ 427.50	\$ 4,275.00	\$ 42,750.00
3 1/2"	\$ 587.13	\$ 5,871.30	\$ 58,713.00	\$ 45.00	11.00	\$ 495.00	\$ 4,950.00	\$ 49,500.00
4"	\$ 500.78	\$ 5,007.80	\$ 50,078.00	\$ 45.00	16.50	\$ 742.50	\$ 7,425.00	\$ 74,250.00
5"	\$ 1,510.30	\$ 15,103.00	\$ 151,030.00	\$ 45.00	22.50	\$ 1,012.50	\$ 10,125.00	\$ 101,250.00
6"	\$ 1,951.70	\$ 19,517.00	\$ 195,170.00	\$ 45.00	28.00	\$ 1,260.00	\$ 12,600.00	\$ 126,000.00

Trade Size	Total Feet	Estimated Material Savings		Estimated Labor Savings	TOTAL ESTIMATED SAVINGS
_____	_____	_____	+	_____	= _____
_____	_____	_____	+	_____	= _____
_____	_____	_____	+	_____	= _____
_____	_____	_____	+	_____	= _____
_____	_____	_____	+	_____	= _____
_____	_____	_____	+	_____	= _____
_____	_____	_____	+	_____	= _____

Material Cost Savings are based on Market Prices from the Major Steel & Aluminum Conduit Producers
 Installation Labor Cost Savings are based on Calculations from the Aluminum Electrical Conductor Handbook, Chapter 17

Calculate Your Savings @ www.patriotsas.com/resources/cost-savings-calculator.html

Lower Material Cost & Huge Labor Savings



Free Delivery with No Min via Patriot Blue™



Aluminum





GO GREEN! GO PATRIOT!

SPECIFY RIGID ALUMINUM CONDUIT NOT GRC

Steel GRC	Green Factors	Aluminum Conduit
High	Material Cost	Low
Slow	Installation Speed	Fast
High	Shipping Costs	Low
High	Voltage Drop	Low
High	Heat Build Up	Low
7-9%	% of Greenhouse Gases	1%
70% Coal	Energy to Produce	70% Hydropower
\$0.035	Recycle \$/Lb	\$1.15
Every Day	Is it Rusting?	Never

Aluminum



SAVE MONEY ~ SAVE TIME ~ SAVE THE PLANET



(434) 510-1776 ~ WWW.PATRIOTSAS.COM



July 4, 2024

Manufacturer's Certification Patriot's Rigid Metal Conduit – Aluminum

This certification applies to the following products that have been manufactured in the United States, at Patriot Aluminum Products, LLC located in Louisa, VA:

- Rigid Aluminum Conduit, Nipples, Elbows, and Couplings

It is hereby certified that the above referenced product:

1. Meets the provisions of the Build America, Buy America Act
2. Meets the provisions of the Buy American Act
3. Meets the provisions of the American Recovery and Reinvestment Act (ARRA)
4. Meets or exceeds the UL 6A Standard For Electrical Rigid Metal Conduit – Aluminum, Bronze, and Stainless Steel requirements and are listed with the Underwriters Laboratories, File # E337297
5. Meets or exceeds the American National Standard Institute (ANSI) C80.5 Standard
6. Meets or exceeds Federal Specification WW-C-540c
7. Meets or exceeds ASTM Specification B221
8. Meets or exceeds CSA Standard C22.2 No. 45.2
9. Meets or exceeds NSF/ANSI Specification 169
10. Is constructed of 6000 Series Aluminum which are generally considered to be “Marine Grade”, “Aerospace Grade”, and “Automotive Grade” alloys. The Tubes are constructed from Aluminum Alloy 6063-T4, and the Couplings are constructed from Aluminum Alloy 6061-T6.
11. Has been constructed from Aluminum which is Melted and Extruded in the USA.

Under penalty of perjury, I declare that I have examined this certification statement, and to the best of my knowledge and belief, the facts presented are true, correct, and complete.

All the best,

Tom Click
President & CEO
Patriot Aluminum Products, LLC



Aluminum

tom.click@patriotsas.com
Cell - 434-825-2652



July 4, 2024

Specification Notes

Patriot's Rigid Metal Conduit - Aluminum

Architects desiring to specify Rigid Metal Conduit - Aluminum from Patriot Aluminum Products should include the following description:

Electrical conductors shall be enclosed in Patriot Aluminum Products' Rigid Metal Conduit - Aluminum in accordance with the National Electrical Code (NEC). Rigid Metal Conduit - Aluminum shall be 6063 Aluminum, manufactured and produced to the following specifications:

- ANSI – American National Standard for Electrical Rigid Aluminum Conduit (ERAC) ANSI, C80.5
- NSF/ANSI Standard 169
- UL Standard for Electrical Rigid Metal Conduit – Aluminum, UL 6A, File # E337297
- National Electric Code, 2008 Article 344
- 2008 NEC Section 250.118(2) recognizes Rigid Metal Conduit as an equipment grounding conductor
- Federal Specification WW-C-540C
- All Trade Sizes (1/2" – 6") shall be manufactured and produced in the United States of America, including:
 - The Shells
 - The Couplings
 - The Thread Protecting Caps
 - The UL Labels
- All Trade Sizes (1/2" – 6") shall be processed using a Threading Lubricant which is:
 - Manufactured from Renewable Raw Materials, and contains no phenolics, nitrites, glycol ethers, DEA, formaldehyde, chlorine or silicone

Please email or call Tom Click with any technical questions.

All the best,

Tom Click
President & CEO
Patriot Aluminum Products, LLC



tom.click@patriotsas.com
Cell - 434-825-2652

SUBMITTAL SHEET

Features:

- Precision Machined in Rigid Aluminum
- Made in the USA at:
 - Louisa Virginia
 - Chester Virginia
 - Pasadena Texas

Applications:

- Rigid Aluminum Conduit Products are Specified in Sanitary, Wash Down, Harsh, and/or Highly Corrosive Environments

Certification and Compliance:



= 100 % Made in USA

- UL6A – US and Canada, File Number E337297
- NSF/ANSI 169 Certified, ANSI C80.5, ASTM B221, C22.2 no 45.2-08
- Federal Specification WW-C-540C
- Manufactured to comply with ASTM A240 (Type 316) and ASTM A276-03
- Install in accordance with “National Electrical Code” (NEC) Article 344, ANSI/NFPA 70

Industries Served:

- Corrosive Environments
- Food & Beverage
- Pulp & Paper Mills
- Chemical/Petrochemical
- Water & Wastewater Treatment
- Pharmaceutical & Cosmetics
- Refining & Extraction
- Marine & Coastal

Aluminum

SUBMITTAL INFORMATION			
PROJECT TITLE:		CONTRACTOR:	DATE:
		ENGINEER:	
PROJECT LOCATION(S):		SECTION SUBCONTRACTOR(S):	
		SECTION TITLE:	
SPECIFICATION REFERENCE:			
NOTES:			



Quote Request

Rigid Aluminum Conduit



- Precision Machined in Rigid Aluminum
- Comes Fully Assembled with a Coupling and Color-Coded Thread Protector
- Available in Custom Lengths
- Made in Louisa Virginia or Houston Texas

Add Photo

Rigid Aluminum Conduit												
Trade Size		Approx Wt Per 100 Feet (30.5M)		Nominal Outside Diameter		Nominal Wall		Master Bundle				Part Number
U.S.	Metric	lb	kg	in	mm	in	mm	ft	m	lb	kg	
1/2	16	28.1	12.7	0.840	21.3	0.104	2.64	2500	762.5	702.5	317.5	ALU012CN
3/4	21	37.4	17.0	1.050	26.7	0.107	2.72	2500	762.5	935.0	425.0	ALU034CN
1	27	54.5	24.7	1.315	33.4	0.126	3.20	2000	610.0	1090.0	494.0	ALU100CN
1-1/4	35	71.6	32.5	1.660	42.2	0.133	3.38	1000	304.8	716.0	325.0	ALU114CN
1-1/2	41	88.7	40.2	1.900	48.3	0.138	3.51	1000	304.8	887.0	402.0	ALU112CN
2	53	118.5	53.8	2.375	60.3	0.146	3.71	450	137.2	533.3	242.1	ALU200CN
2-1/2	63	187.5	85.0	2.875	73.0	0.193	4.90	300	91.5	562.5	255.0	ALU212CN
3	78	246.3	111.7	3.500	88.9	0.205	5.21	200	61.0	492.6	223.4	ALU300CN
3-1/2	91	295.6	134.1	4.000	101.6	0.215	5.46	200	61.0	591.2	268.2	ALU312CN
4	103	350.2	155.8	4.500	114.3	0.225	5.72	200	61.0	700.4	311.6	ALU400CN
5	129	478.9	217.2	5.563	141.3	0.245	6.22	80	23.4	383.1	173.8	ALU500CN
6	155	630.4	285.9	6.625	168.3	0.266	6.76	60	18.3	378.2	171.5	ALU600CN

Aluminum



Patriot Industries ~ Office (434) 510-1776 ~ www.patriotsas.com
 Main HQ & Factory 1 - 205 Ferncliff Drive - Louisa, VA 23093
 Factory 2 - 13721 US 1 Plant 4/4A - Chester, VA 23831
 Factory 3 - 1033 Red Bluff Road - Pasadena, TX 77506



Rigid Aluminum Couplings



- Precision Machined in Rigid Aluminum
- Made in Louisa Virginia or Houston Texas

Add Photo

Rigid Aluminum Couplings									
Trade Size		Approx Wt Per 100 Pieces		Nominal Outside Diameter		Length		Standard Package	Part Number
U.S.	Metric	lb	kg	in	mm	in	mm	Pieces	
1/2	16	6.1	2.8	1.080	27.4	1.56	39.6	100	ALU012CP
3/4	21	9.1	4.1	1.330	33.8	1.62	41.1	50	ALU034CP
1	27	12.5	5.7	1.560	39.6	2.00	50.8	50	ALU100CP
1-1/4	35	18.9	8.6	1.950	49.5	2.06	52.3	50	ALU114CP
1-1/2	41	23.3	10.6	2.220	56.4	2.06	52.3	50	ALU112CP
2	53	34.6	15.7	2.750	69.8	2.12	53.8	50	ALU200CP
2-1/2	63	68.3	31.0	3.280	83.3	3.12	79.2	25	ALU212CP
3	78	91.4	41.5	3.940	100.8	3.25	82.6	25	ALU300CP
3-1/2	91	108.0	49.0	4.440	112.8	3.37	85.6	10	ALU312CP
4	103	142.0	64.4	5.000	127.0	3.50	88.9	10	ALU400CP
5	129	241.9	109.7	6.300	160.0	3.75	95.3	5	ALU500CP
6	155	321.0	145.6	7.390	187.7	4.00	101.6	5	ALU600CP

Aluminum

Patriot Industries ~ Office (434) 510-1776 ~ www.patriotsas.com
 Main HQ & Factory 1 - 205 Ferncliff Drive - Louisa, VA 23093
 Factory 2 - 13721 US 1 Plant 4/4A - Chester, VA 23831
 Factory 3 - 1033 Red Bluff Road - Pasadena, TX 77506



Quote Request

Rigid Aluminum Nipples



- Precision Machined in Rigid Aluminum
- Available in Custom Lengths
- Made in Louisa Virginia, Chester Virginia, or Houston Texas

Add Photo

Rigid Aluminum Conduit Nipples					
Size	Length	Weight	Box Qty	Origin	Part Number
1/2" Aluminum Nipples					
1/2" X CLOSE	1 1/8"	0.03	25	USA	ALU012XCLNP
1/2" X 1 1/2"	1 1/2"	0.04	25	USA	ALU012X112NP
1/2" X 2"	2"	0.05	25	USA	ALU012X200NP
1/2" X 2 1/2"	2 1/2"	0.06	25	USA	ALU012X212NP
1/2" X 3"	3"	0.07	25	USA	ALU012X300NP
1/2" X 3 1/2"	3 1/2"	0.08	25	USA	ALU012X312NP
1/2" X 4"	4"	0.09	25	USA	ALU012X400NP
1/2" X 5"	5"	0.12	25	USA	ALU012X500NP
1/2" X 6"	6"	0.14	25	USA	ALU012X600NP
1/2" X 8"	8"	0.19	25	USA	ALU012X800NP
1/2" X 10"	10"	0.24	25	USA	ALU012X1000NP
1/2" X 12"	12"	0.29	25	USA	ALU012X1200NP
3/4" Aluminum Nipples					
3/4" X CLOSE	1 3/8"	0.04	25	USA	ALU034XCLNP
3/4" X 1 1/2"	1 1/2"	0.05	25	USA	ALU034X112NP
3/4" X 2"	2"	0.06	25	USA	ALU034X200NP
3/4" X 2 1/2"	2 1/2"	0.08	25	USA	ALU034X212NP
3/4" X 3"	3"	0.09	25	USA	ALU034X300NP
3/4" X 3 1/2"	3 1/2"	0.11	25	USA	ALU034X312NP
3/4" X 4"	4"	0.12	25	USA	ALU034X400NP
3/4" X 5"	5"	0.16	25	USA	ALU034X500NP
3/4" X 6"	6"	0.19	25	USA	ALU034X600NP
3/4" X 8"	8"	0.25	25	USA	ALU034X800NP
3/4" X 10"	10"	0.31	25	USA	ALU034X1000NP
3/4" X 12"	12"	0.38	25	USA	ALU034X1200NP
1" Aluminum Nipples					
1" X CLOSE	1 1/2"	0.07	25	USA	ALU100XCLNP
1" X 2"	2"	0.09	25	USA	ALU100X200NP
1" X 2 1/2"	2 1/2"	0.11	25	USA	ALU100X212NP
1" X 3"	3"	0.14	25	USA	ALU100X300NP
1" X 3 1/2"	3 1/2"	0.16	25	USA	ALU100X312NP
1" X 4"	4"	0.18	25	USA	ALU100X400NP
1" X 5"	5"	0.23	25	USA	ALU100X500NP
1" X 6"	6"	0.27	25	USA	ALU100X600NP
1" X 8"	8"	0.36	25	USA	ALU100X800NP
1" X 10"	10"	0.45	25	USA	ALU100X1000NP
1" X 12"	12"	0.55	25	USA	ALU100X1200NP

Rigid Aluminum Conduit Nipples					
Size	Length	Weight	Box Qty	Origin	Part Number
1 1/4" Aluminum Nipples					
1 1/4" X CLOSE	1 5/8"	0.10	25	USA	ALU114XCLNP
1 1/4" X 2"	2"	0.12	25	USA	ALU114X200NP
1 1/4" X 2 1/2"	2 1/2"	0.15	25	USA	ALU114X212NP
1 1/4" X 3"	3"	0.18	25	USA	ALU114X300NP
1 1/4" X 3 1/2"	3 1/2"	0.21	25	USA	ALU114X312NP
1 1/4" X 4"	4"	0.24	25	USA	ALU114X400NP
1 1/4" X 5"	5"	0.30	25	USA	ALU114X500NP
1 1/4" X 6"	6"	0.36	25	USA	ALU114X600NP
1 1/4" X 8"	8"	0.49	15	USA	ALU114X800NP
1 1/4" X 10"	10"	0.66	15	USA	ALU114X1000NP
1 1/4" X 12"	12"	0.75	15	USA	ALU114X1200NP
1 1/2" Aluminum Nipples					
1 1/2" X CLOSE	1 3/4"	0.13	25	USA	ALU112XCLNP
1 1/2" X 2"	2"	0.15	25	USA	ALU112X200NP
1 1/2" X 2 1/2"	2 1/2"	0.18	25	USA	ALU112X212NP
1 1/2" X 3"	3"	0.22	25	USA	ALU112X300NP
1 1/2" X 3 1/2"	3 1/2"	0.26	25	USA	ALU112X312NP
1 1/2" X 4"	4"	0.30	25	USA	ALU112X400NP
1 1/2" X 5"	5"	0.37	10	USA	ALU112X500NP
1 1/2" X 6"	6"	0.44	10	USA	ALU112X600NP
1 1/2" X 8"	8"	0.59	25	USA	ALU112X800NP
1 1/2" X 10"	10"	0.74	25	USA	ALU112X1000NP
1 1/2" X 12"	12"	0.90	25	USA	ALU112X1200NP
2" Aluminum Nipples					
2" X CLOSE	2"	0.20	25	USA	ALU200XCLNP
2" X 2 1/2"	2 1/2"	0.25	25	USA	ALU200X212NP
2" X 3"	3"	0.30	25	USA	ALU200X300NP
2" X 3 1/2"	3 1/2"	0.35	25	USA	ALU200X312NP
2" X 4"	4"	0.40	25	USA	ALU200X400NP
2" X 5"	5"	0.49	25	USA	ALU200X500NP
2" X 6"	6"	0.59	10	USA	ALU200X600NP
2" X 8"	8"	0.79	10	USA	ALU200X800NP
2" X 10"	10"	1.00	25	USA	ALU200X1000NP
2" X 12"	12"	1.22	10	USA	ALU200X1200NP

Aluminum

Patriot Industries ~ Office (434) 510-1776 ~ www.patriotsas.com
 Main HQ & Factory 1 - 205 Ferncliff Drive - Louisa, VA 23093
 Factory 2 - 13721 US 1 Plant 4/4A - Chester, VA 23831
 Factory 3 - 1033 Red Bluff Road - Pasadena, TX 77506



Rigid Aluminum Nipples



- Precision Machined in Rigid Aluminum
- Available in Custom Lengths
- Made in Louisa Virginia, Chester Virginia, or Houston Texas

Add Photo

Rigid Aluminum Conduit Nipples					
Size	Length	Weight	Box Qty	Origin	Part Number
2 1/2" Aluminum Nipples					
2 1/2" X CLOSE	2 1/2"	0.39	10	USA	ALU212XCLNP
2 1/2" X 3"	3"	0.47	10	USA	ALU212X300NP
2 1/2" X 3 1/2"	3 1/2"	0.55	10	USA	ALU212X312NP
2 1/2" X 4"	4"	0.63	10	USA	ALU212X400NP
2 1/2" X 5"	5"	0.78	10	USA	ALU212X500NP
2 1/2" X 6"	6"	0.94	10	USA	ALU212X600NP
2 1/2" X 8"	8"	1.25	5	USA	ALU212X800NP
2 1/2" X 10"	10"	1.57	10	USA	ALU212X1000NP
2 1/2" X 12"	12"	1.88	10	USA	ALU212X1200NP
3" Aluminum Nipples					
3" X CLOSE	2 5/8"	0.72	10	USA	ALU300XCLNP
3" X 3"	3"	0.62	10	USA	ALU300X300NP
3" X 3 1/2"	3 1/2"	0.72	5	USA	ALU300X312NP
3" X 4"	4"	0.82	5	USA	ALU300X400NP
3" X 5"	5"	1.03	10	USA	ALU300X500NP
3" X 6"	6"	1.23	10	USA	ALU300X600NP
3" X 8"	8"	1.64	10	USA	ALU300X800NP
3" X 10"	10"	2.05	5	USA	ALU300X1000NP
3" X 12"	12"	2.46	5	USA	ALU300X1200NP
3 1/2" Aluminum Nipples					
3 1/2" X CLOSE	2 3/4"	0.99	10	USA	ALU312XCLNP
3 1/2" X 4"	4"	0.99	10	USA	ALU312X400NP
3 1/2" X 5"	5"	1.23	10	USA	ALU312X500NP
3 1/2" X 6"	6"	1.48	10	USA	ALU312X600NP
3 1/2" X 8"	8"	1.97	5	USA	ALU312X800NP
3 1/2" X 10"	10"	2.46	5	USA	ALU312X1000NP
3 1/2" X 12"	12"	2.96	2	USA	ALU312X1200NP

Rigid Aluminum Conduit Nipples					
Size	Length	Weight	Box Qty	Origin	Part Number
4" Aluminum Nipples					
4" X CLOSE	2 7/8"	1.31	2	USA	ALU400XCLNP
4" X 4"	4"	1.17	5	USA	ALU400X400NP
4" X 5"	5"	1.46	5	USA	ALU400X500NP
4" X 6"	6"	1.75	5	USA	ALU400X600NP
4" X 8"	8"	2.33	2	USA	ALU400X800NP
4" X 10"	10"	2.92	2	USA	ALU400X1000NP
4" X 12"	12"	3.50	2	USA	ALU400X1200NP
5" Aluminum Nipples					
5" X CLOSE	3"	2.59	Bulk	USA	ALU500XCLNP
5" X 5"	5"	2.00	Bulk	USA	ALU500X500NP
5" X 6"	6"	2.39	Bulk	USA	ALU500X600NP
5" X 8"	8"	3.19	Bulk	USA	ALU500X800NP
5" X 10"	10"	3.99	Bulk	USA	ALU500X1000NP
5" X 12"	12"	4.79	Bulk	USA	ALU500X1200NP
6" Aluminum Nipples					
6" X CLOSE	3 1/8"	3.68	Bulk	USA	ALU600XCLNP
6" X 5"	5"	2.63	Bulk	USA	ALU600X500NP
6" X 6"	6"	3.15	Bulk	USA	ALU600X600NP
6" X 8"	8"	4.20	Bulk	USA	ALU600X800NP
6" X 10"	10"	5.25	Bulk	USA	ALU600X1000NP
6" X 12"	12"	6.30	Bulk	USA	ALU600X1200NP

Aluminum

Quick Turnaround on Custom Lengths



CNC Precision Machining



Patriot Industries ~ Office (434) 510-1776 ~ www.patriotsas.com
 Main HQ & Factory 1 - 205 Ferncliff Drive - Louisa, VA 23093
 Factory 2 - 13721 US 1 Plant 4/4A - Chester, VA 23831
 Factory 3 - 1033 Red Bluff Road - Pasadena, TX 77506

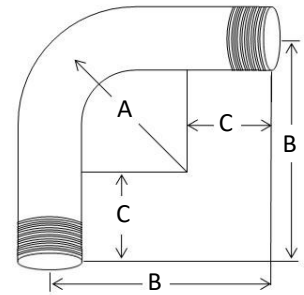


Quote Request

Rigid Aluminum Elbows



- Precision Machined in Rigid Aluminum
- Large Diameter Sizes come with a Color-Coded Thread Protector
- Made in Louisa Virginia, Chester Virginia, or Houston Texas



Standard Radius 90° Aluminum Elbows						
Trade Size	Standard Carton	Wgt per 100 Pcs	Nominal Dimensions			Part Number
			Radius A	B	C	
U.S.	Qty	Lbs	in	in	in	
1/2"	50	25	4	6-3/16	1-1/2	ALU012EL90
3/4"	50	36	4-1/2	6-3/4	1-1/2	ALU034EL90
1"	20	68	5-3/4	8-5/8	1-7/8	ALU100EL90
1 1/4"	20	104	7-1/4	10-1/16	2	ALU114EL90
1 1/2"	20	157	8-1/4	11-9/16	2	ALU112EL90
2"	10	241	9-1/2	14-1/16	2	ALU200EL90
2 1/2"	Bulk	430	10-1/2	16	3	ALU212EL90
3"	Bulk	693	13	19-11/16	3-1/8	ALU300EL90
3 1/2"	Bulk	936	15	22-3/16	3-1/4	ALU312EL90
4"	Bulk	1151	16	23-1/8	3-3/8	ALU400EL90
5"	Bulk	2474	24	36-1/8	3-5/8	ALU500EL90
6"	Bulk	4019	30	42-15/16	3-3/4	ALU600EL90

Standard Radius 45° Aluminum Elbows						
Trade Size	Standard Carton	Wgt per 100 Pcs	Nominal Dimensions			Part Number
			Radius A	B	C	
U.S.	Qty	Lbs	in	in	in	
1/2"	50	25	4	7-13/16	3-1/4	ALU012EL45
3/4"	50	31	4-1/2	8-11/16	3-5/8	ALU034EL45
1"	35	68	5-3/4	9-3/16	3-13/16	ALU100EL45
1 1/4"	30	104	7-1/4	10-11/16	4-7/16	ALU114EL45
1 1/2"	15	157	8-1/4	11-13/16	4-7/8	ALU112EL45
2"	15	241	9-1/2	14-7/8	6-1/8	ALU200EL45
2 1/2"	Bulk	412	10-1/2	18-5/16	7-9/16	ALU212EL45
3"	Bulk	637	13	20-9/16	8-1/2	ALU300EL45
3 1/2"	Bulk	875	15	23-3/16	9-5/8	ALU312EL45
4"	Bulk	1125	16	24-1/2	10-1/8	ALU400EL45
5"	Bulk	2287	24	38-1/4	15-7/8	ALU500EL45
6"	Bulk	4019	30	42	17-3/8	ALU600EL45

~ Standard radius elbows also available in 60, 30, 22 1/2, 15 and 11 1/4.
 ~ Special Large Radius 90° Elbows are available with up to a 60" Radius.

Aluminum

Patriot Industries ~ Office (434) 510-1776 ~ www.patriotsas.com
 Main HQ & Factory 1 - 205 Ferncliff Drive - Louisa, VA 23093
 Factory 2 - 13721 US 1 Plant 4/4A - Chester, VA 23831
 Factory 3 - 1033 Red Bluff Road - Pasadena, TX 77506



Rigid Aluminum Conduit Specifications

Specification Data

UL File #:	File # E337297
Alloy :	6063 Aluminum with Copper Content <=0.10%
Standards :	UL 6A "Standard for Electrical Rigid Metal Conduit – Aluminum, Red Brass, and Stainless Steel ANSI C80.5 (Replaces Federal Specification WWC-540C) ASTM Specification B221 CSA Standard C22.2 No. 45.2

Conduit Weight Chart

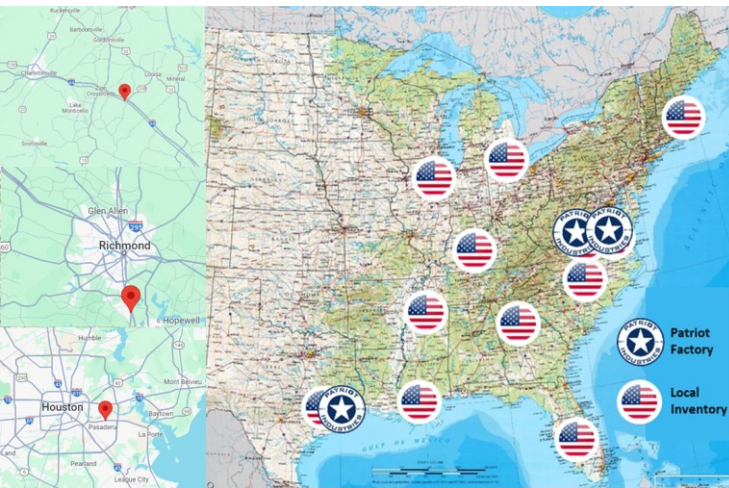
FEET	1/2"	3/4"	1"	1-1/4"	1-1/2"	2"	2-1/2"	3"	3-1/2"	4"	5"	6"
100	28	37	55	72	89	119	188	246	296	350	479	630
200	56	75	109	143	177	237	375	493	591	700	958	1,261
300	84	112	164	215	266	356	563	739	887	1,051	1,437	1,891
400	112	150	218	286	355	474	750	985	1,182	1,401	1,916	2,522
500	141	187	273	358	444	593	938	1,232	1,478	1,751	2,395	3,152
600	169	224	327	430	532	711	1,125	1,478	1,774	2,101	2,873	3,782
700	197	262	382	501	621	830	1,313	1,724	2,069	2,451	3,352	4,413
800	225	299	436	573	710	948	1,500	1,970	2,365	2,802	3,831	5,043
900	253	337	491	644	798	1,067	1,688	2,217	2,660	3,152	4,310	5,674
1,000	281	374	545	716	887	1,185	1,875	2,463	2,956	3,502	4,789	6,304
1,500	422	561	818	1,074	1,331	1,778	2,813	3,695	4,434	5,253	7,184	9,456
2,000	582	748	1,090	1,432	1,774	2,370	3,750	4,926	5,912	7,004	9,578	12,608
5,000	1,405	1,870	2,725	3,580	4,435	5,925	9,375	12,315	14,780	17,510	23,945	31,520
10,000	2,810	3,740	5,450	7,160	8,870	11,850	18,750	24,630	29,560	35,020	47,890	63,040
15,000	4,215	5,610	8,175	10,740	13,305	17,775	28,125	36,945	44,340	52,530	71,835	94,560
20,000	5,620	7,480	10,900	14,320	17,740	23,700	37,500	49,260	59,120	70,040	95,780	126,080
25,000	7,025	9,350	13,625	17,900	22,175	29,625	46,875	61,575	73,900	87,550	119,725	157,600
30,000	8,430	11,220	16,350	21,480	26,610	35,550	56,250	73,890	88,680	105,060	143,670	189,120
35,000	9,835	13,090	19,075	25,060	31,045	41,475	65,625	86,205	103,460	122,570	167,615	220,640
40,000	11,240	14,960	21,800	28,640	35,480	47,400	75,000	98,520	118,240	140,080	191,560	252,160

Aluminum

Typical Installation Practices

<p>Cutting ~ A hacksaw may be used to cut trade sizes 1/2" thru 1 1/4". Power cut-off tools are recommended for larger sizes.</p> <p>Bending ~ Standard EMT Benders (one size larger than the size being bent) may be used for trade sizes 1/2" thru 1". Conventional Bending equipment is recommended for larger sizes.</p> <p>Threading ~ Sharp dies and conventional cutting oil are recommended. Contact Customer Service for a list of recommended "Aluminum-Specific" Cutting lubricants.</p> <p>Fittings ~ Aluminum fittings are recommended, however galvanized fittings may be used for most installations.</p> <p>Fishing & Wire Pulling ~ For trade sizes 1/2" thru 1 1/2", and on runs <100 feet, polyethylene fish tapes or speedometer type steel cables may be used. Avoid the use of flat steel tapes. For trade sizes 2" and above, and on runs >100 feet, polypropylene rope is recommended.</p> <p>Soil or Concrete Installation ~ UL's Electrical Construction Equipment Directory (UL Green Book) states that supplementary corrosion protection is required for aluminum conduit used in concrete or in contact with soil. Supplementary protection examples include paints (bitumastic) or wraps approved for the purpose, or PVC coated aluminum conduit.</p>

Join the New Industrial Revolution™



CAGE Code: 6GRN9
 DUNS: 040931882
 SCC: S3361401
 SWaM Code: 702274
 A Certified Small Business



Patriot Industries ~ Office (434) 510-1776 ~ www.patriotsas.com
 Main HQ & Factory 1 - 205 Ferncliff Drive - Louisa, VA 23093
 Factory 2 - 13721 US 1 Plant 4/4A - Chester, VA 23831
 Factory 3 - 1033 Red Bluff Road - Pasadena, TX 77506

UL File Numbers:
 Aluminum - E337297
 Stainless - E337297
 Galvanized - E467496
 EMT - E467495