

Soprano

Fan-forced Wall Heater

Maximize bathroom space and heating efficiency with the Soprano fan-forced heater. This innovative unit breaks the mold with its high-wall installation. Free up valuable floor space while delivering efficient warmth through a quiet, downward airflow.



COLOR

- Standard: white

FINISH

- Epoxy/polyester anti-rust powder coating resistant to UV rays

VOLTAGE

- 240V, 1-phase

CONSTRUCTION

- Steel cabinet featuring rounded corners and splash-proof construction for safe installation in the bathroom
- Warm air outlet that directs the air downwards, towards the center of the room
- Two high-limit temperature controls that will turn the heater off in case of overheating, with main power interruption reset

FAN

- Quiet squirrel-cage fan
- Factory lubricated motor

HEATING ELEMENT

- Nickel-chromium alloy stitched wire, providing instant heat

CONTROL

- Line voltage control circuit for thermostat, timer or switch (not included, must be compatible with the selected voltage and wattage of the heater)
- * Note: If an electronic thermostat is used, it must be compatible with fan heaters

INSTALLATION

- Wattage must be selected at the time of wiring (750 W or 1,500 W)
- Quick surface-mounted installation, with the included wall-mounting bracket
- Flexible cable with electrical wall box cover plate included
- Requires installation of a wall electrical box not supplied

WARRANTY

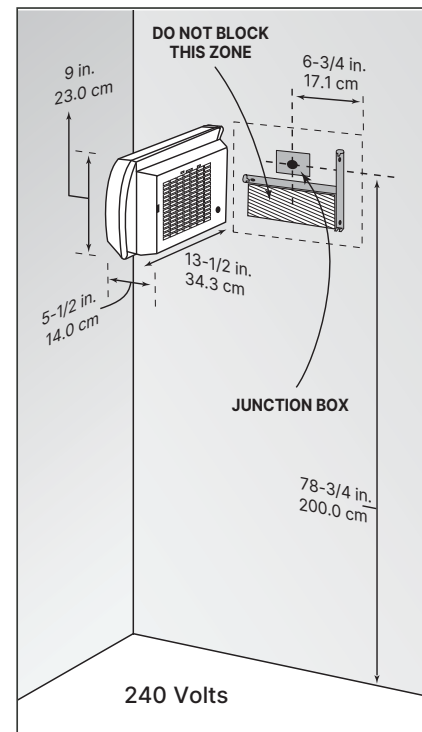
- 5-year warranty on the heating element
- 2-year warranty on parts and defects

APPLICATIONS

- Bathroom, entrance way, stairwell

Recommended installation height	
ft	meters
6	1.8

Minimum clearances					
Front		Side		Above	
in	cm	in	cm	in	cm
40	50.0	4	10.2	12	30.5



It is recommended that all units be installed by a licensed electrical contractor in accordance with national and local codes. Consult convectair.ca to find installation instructions for our heaters.



5 year element warranty
2-year limited warranty

Soprano

Fan-forced Wall Heater

Soprano

Product No.	Color	Power 240 V	Height		Width		Depth		Net Weight	
			in	cm	in	cm	in	cm	lb	kg
X-7809-C15-BB	White	750 W or 1,500 W	9	23.0	13-1/2	34.3	5-1/2	14.0	6.4	2.9



1-800-668-6663 | convectair.ca

© Convectair. All rights reserved. Material contained in this publication may not be reproduced in whole or in part, without prior permission in writing of Convectair. Convectair is a Registered Trade Mark in North America. All the products shown in this document are protected by intellectual property rights owned by Convectair or members of the Glen Dimplex Group on an international basis. The Glen Dimplex Group of Companies will actively protect these rights. Specifications, finishes and dimensions are subject to change. Limited warranty. SE-595-R02-081224