

FOR Electronic Panel Convectors

Deliver tailored heating solutions with the FOR series. These versatile heaters come in four wattages, allowing you to perfectly match the needs of any space.

COLOR

- Standard: white

FINISH

- Epoxy/polyester anti-rust powder coating resistant to UV rays

VOLTAGE

- 240/208 V

CONSTRUCTION

- Steel construction
- Front-louvered air outlet that hides the unit interior and directs heat towards the center of the room

HEATING ELEMENT 1

- X-shaped, monoblock element made of surface-treated extruded aluminum

CONTROL 2

- Electronic thermostat: Built-in electronic proportional-action thermostat ultra precise to 1/5°F (1/10°C)
- Select unit of temperature in °C or °F, by key combination "+" and "-" buttons. Set the temperature and lock the controls
- Mode button with 4 settings: Comfort; Economy; Frost protection 45°F (7°C); Heat off

INSTALLATION

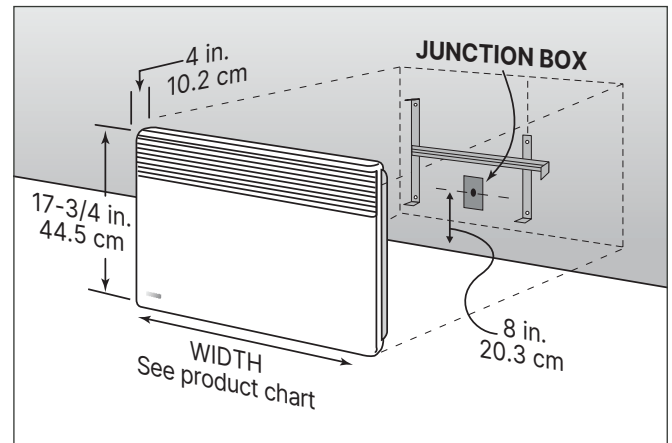
- Recommended installation height: 4" (10.2 cm)
- Clearances: Front: 20" (50.8 cm); Sides: 6" (15 cm); Above: 4" (10.2 cm); Underneath: 4" (10.2 cm)
- Quick-mounted surface installation with easy snap-on bracket that also serves as marking template.
- Flexible cord connection, including junction box cover. Installation requires 2" x 3" wall box (not included)
- Note: 3-conductor cable

WARRANTY

- 5-year warranty on the heating element
- 2-year warranty on parts and defects

APPLICATIONS

- Ideal for both new and retrofit installations where there is an existing supply line



Recommended installation height	
in	cm
4	10.2

Minimum clearances							
Front		Side		Above		Below	
in	cm	in	cm	in	cm	in	cm
20	50.8	6	15.0	4	10.2	4	10.2

FOR Electronic Panel Convectors

FOR Series

Product No.	Color	Watts		Height		Width		Depth		Net Weight	
		240 V	208 V	cm	in	cm	in	cm	in	kg	lb
X-5356-C07-BB	White	750 W	565 W	44.5	17-3/4	34.0	13-3/8	10.2	4	3.3	7.7
X-5356-C10-BB	White	1,000 W	750 W	44.5	17-3/4	42.0	16-1/2	10.2	4	3.7	8.8
X-5356-C15-BB	White	1,500 W	1,125 W	44.5	17-3/4	58.0	22-7/8	10.2	4	4.8	11.0
X-5356-C20-BB	White	2,000 W	1,500 W	44.5	17-3/4	75.0	29-1/8	10.2	4	5.9	13.2

Depth includes the mounting brackets.



1-800-668-6663 | convectair.ca

© Convectair. All rights reserved. Material contained in this publication may not be reproduced in whole or in part, without prior permission in writing of Convectair. Convectair is a Registered Trade Mark in North America. All the products shown in this document are protected by intellectual property rights owned by Convectair or members of the Glen Dimplex Group on an international basis. The Glen Dimplex Group of Companies will actively protect these rights. Specifications, finishes and dimensions are subject to change. Limited warranty. SE-583-R00-081224