

## *LEDI In-Stock Price Guide*



Increase your profits and serve your customers better with your dedicated team at Lumen Efficient Design!

By Hi-Tech Sales  
(204) 694-0000—[HTS@hi-techsales.ca](mailto:HTS@hi-techsales.ca)

# Quick Ship Guide v5.6

Pricing subject to change without notice

---

---

## WHAT'S INSIDE

---

---

FLAT PANELS	_____	1
BASKET TROFFERS	_____	1
COMMERCIAL STRIPS	_____	1 , 4
EMERGENCY LIGHTING	_____	1
UFO HIGHBAYS	_____	2
WALL PACKS	_____	3
VAPOR TIGHTS	_____	4
SECURITY LIGHTS	_____	4
LED PAR REFLECTOR LAMPS	_____	5
LED TUBES	_____	6
LED LAMPS	_____	7
G8, G9, GU10 HALOGEN	_____	8
G4, GY6.35, MR SCREW HALOGEN	_____	9

---

---

## WHAT'S INSIDE

---

---

MR11, MR16 HALOGEN	10
T3 QUARTZ, PAR20	11
T5 FLUORESCENT	12, 13
T8 FLUORESCENT	14, 15
T12 FLUORESCENT	16
HIGH OUTPUT FLUORESCENT T12	17
SPECIALTY FLUORESCENT	18
BALLAST FLUORESCENT	19, 20
COMPACT FLUORESCENT LAMPS	21-24
CFL BALLASTS	25
METAL HALIDE LAMPS	26-28
MH BALLASTS	29
HIGH PRESSURE SODIUM LAMPS & BALLASTS	30, 31

---

---

# Terms and Conditions

---

---

## **PREPAID SHIPMENTS**

Mississauga, Toronto, Brampton, Scarborough, Vaughan: \$750.00

Ajax, Pickering, Oshawa, Whitby, Newmarket, Markham, Milton, Oakville, Burlington, Hamilton: \$1000.00

St. Catherines, Niagara Falls, Kitchener, Guelph, Cambridge, Windsor, Sarnia, London: \$1500.00

Quebec, Maritimes, **Manitoba, Saskatchewan, NW Ontario: \$2500.00 (exceptions may apply)**

Items over 4 foot in length may not qualify for shipping via courier and may not qualify towards total in prepaid order value. These items may not qualify for shipping outside of the greater Toronto area.

Non-stock items specially ordered may not qualify towards total in prepaid order value.

## **RETURNS, BREAKAGE, WARRANTY, MISSING FROM SHIPMENT**

Handling of warranty claims will be addressed on a case by case basis. Contact our office for warranty claims.

Breakage and missing items must be reported within 48 hours of receipt. Breakage claims and returns are expected to be in original packaging. Lumen Efficient Design does not cover damages by customer courier services. Claims against breakage on prepaid shipments by our freight service must be noted on the courier waybill at the time of delivery. Claims are null if not marked on the couriers copy by the customer.

Returns due to error or cancellations are to be in original packaging and saleable condition. Special order items may not qualify for return or may be subject to re-stocking fees.

All returns are subject to the discretion of Lumen Efficient Design and are treated on a case by case basis.

## LED FIXTURES

### FLAT PANELS



ORDERING CODE	WATTS	CCT
PL-22-BL-347V-40D-SPCDN 2 X 2 FLAT PANEL	25   30   40	3500   4000   5000
PL-14-BL-347V-40D-SPCDN 1 x 4 FLAT PANEL	25   30   40	3500   4000   5000
PL-24-BL-347V-50D-SPCDN 2 X 4 FLAT PANEL	30   40   50	3500   4000   5000

Dedicated panel shipments outside GTA require 1 full skid to meet prepaid. 80 pcs 2x2 | 40 pcs 2x4

### BASKET TROFFERS



ORDERING CODE	WATTS	CCT
LED-TF22-347V-40D TROFFER	25   30   40	3500   4000   5000
LED-TF24-347V-50D TROFFER	30   40   50	3500   4000   5000

### COMMERCIAL STRIPS



ORDERING CODE	WATTS	CCT
TPSTR-N-34/38/45-DIM-4FT-347	34   38   45	3500   4000   5000
TPSTR-N-65/75/90-DIM-8FT-347	65   75   90	3500   4000   5000

### EMERGENCY LIGHTING



ORDERING CODE
RMP-RC RUNNING MAN EXIT SIGN
RMCP-RC RUNNING MAN EXIT SIGN & E. COMBO

ORDERING CODE
RHL-24V1 SINGLE REMOTE HEAD
RHL-24V2 DOUBLE REMOTE HEAD

ORDERING CODE
ELR-RC TWIN HEAD EMER- GENCY LIGHT

## ROUND UFO HIGHBAYS 120-347V

### DESCRIPTION

Our naturalLED® Round HighBay luminaire is uniquely designed for a wide variety of applications and mounting heights. Designed to maximize thermal performance with multiple lumens and color temperatures ideally fit for wide range of applications. Such as industrial, commercial, manufacturing, gymnasium, and other applications that utilize traditional HID and linear fluorescent high bays.



### FEATURES

- DLC Premium
- IP66 Rated
- Designed for operation in commercial warehouses
- Uniform and consistent color
- Lighter weight housing for easy installation
- Material: Aluminum Construction
- Lightweight and easy installation
- CRI: 80
- Input Voltage: 120-347V
- Beam Angle: 90°
- Dimmable: 0-10V
- Operating temperature: -22°F - 122°F
- 50,000 Hours rated average life

Watts (W)	Ordering Code	Description	Color Temp (K)	Lumens (lm)	Size	Equiv. Wattage (W)	Beam Angle
100	9438	LED-FX11HBR100/90/850/BK/IP66/347	5000K	15,000	11"	400	90°
150	9439	LED-FX13HBR150/90/850/BK/IP66/347	5000K	22,500	13"	400-575	90°



# natural<sup>®</sup>led



**Rated Life 50,000 Hours**  
**Warranty 5 Years**

**TWP**

**TRADITIONAL WALL PACK**

**SAMPLE NUMBER** FXTWP60SW/CCT3/BZ-PHO

FAMILY	SERIES	WATTAGE	SELECTABLE	COLOR TEMP	FINISH COLOR	ACCESSORY
FX fixture	TWP traditional wallpack	60 28/38/60W	SW Selectable Wattage	CCT3 3000K 4000K 5000K	BZ Bronze	PHO Photocell Included

## FEATURES

- Built In Photocell Sensor Included (Easy connector to activate the photocell)
- Emergency driver and microwave sensor compatible as optional accessories
- Borosilicate Glass Lens reduces yellowing
- Much More

## ACCESSORIES

	Motion Sensor
	Emergency Drivers
	Wireguard
	Replacement Lens
	Shield Cover
	Surge Protection

Watts	Order Code	Description	CCT
28 38 60	9532	FXTWP60SW/CCT3/BZ/347-PHO	3000K 4000K 5000K
60 80 100	9533	FXTWP100SW/CCT3/BZ/347-PHO	3000K 4000K 5000K
38	9534	FXTWP38/40K/BZ/347-PHO	4000K
38	9535	FXTWP38/50K/BZ/347-PHO	5000K
60	9536	FXTWP60/40K/BZ/347-PHO	4000K
60	9537	FXTWP50/40K/BZ/347-PHO	5000K



## LED STRIP FIXTURES



PART #	WATTAGE	CCT	LENGTH
STD-024-AW-NW-1T	24	4000K	2'
STD-024-AW-NW-3T	24	4000K	4'
STD-036-AW-NW-1T	36	4000K	4'

## VAPOR TIGHT FIXTURES



PART #	WATTAGE	CCT	LENGTH
VT4F-040-AW-40K-D02	40	4000K	4'
VT4F-050-AW-40K-D02	50	4000K	4'



## LED PAR REFLECTOR LAMPS

natural<sup>®</sup>led



DESCRIPTION ORDER CODE	CCT	CASE
LED8PAR20/50L/FL/930 5924	3000	20
LED8PAR20/50L/FL/950 5925	5000	20
LED10PAR30/80L/FL/930 5926	3000	20
LED10PAR30/80L/FL/950 5927	5000	20
LED10PAR30L/OD/80L/FL/930 5928	3000	20
LED10PAR30L/OD/80L/FL/940 5997	4000	20
LED10PAR30L/OD/80L/FL/950 5929	5000	20
LED15PAR38/OD/120L/FL/930 5930	3000	10
LED15PAR38/OD/120L/FL/940 5998	4000	10
LED15PAR38/OD/120L/FL/950 5931	5000	10

## LED TUBES

DESCRIPTION ORDER CODE	CCT	LUMENS	TYPE	CASE
LED9T8/24FR11/840/UNV 4556 2-FOOT	4000	1,100	BYPASS	25
LED9T8/24FR11/850/UNV 4557 2-FOOT	5000	1,100	BYPASS	25
LED12T8/36FR14/840/IF 4551 3-FOOT	4000	1,400	INSTANT FIT	25
LED13T8/FR18/850/IF 4583 4-FOOT	5000	1,800	INSTANT FIT	25
LED15T8/FR18/840G1 5955 4-FOOT	4000	1,800	BYPASS	25
LED15T8/FR18/850G1 5956 4-FOOT	5000	1,800	BYPASS	25
LEDT8-15W-2200LM-4FT-5000K-DR-G5 4-FOOT	5000	2,200	INSTANT FIT	25
T08J02-40H1 4-FOOT	4000	2,200	INSTANT FIT	30
T08J02-50H1 4-FOOT	5000	2,300	INSTANT FIT	30
LED16T8/FR22/840/IF 4584 4-FOOT	4000	2,200	INSTANT FIT	25
LED16T8/FR22/850/IF 4585 4-FOOT	5000	2,200	INSTANT FIT	25
LED28T5/FR32/840/IF 5902 4-FOOT T5	4000	3,200	INSTANT FIT	25
LED28T5/FR32/850/IF 5903 4-FOOT T5	5000	3,200	INSTANT	25
LED28T5/FR35/840/IF 5992 4-FOOT T5	4000	3,500	INSTANT	25
LED28T5/FR35/850/IF 5993 4-FOOT T5	5000	3,500	INSTANT	25

## **LED A19 | MR16**

Please stand by. This page will be updated upon arrival of new stock in April. Please call us for this material.

## HALOGEN LAMPS



### G9 PEANUT BULBS 120 VOLT

DESCRIPTION	ORDER CODE	BRAND	CASE
JCD25/CL/G9 120V	3414 25 Watts	PLUSRITE	100
JCD40/CL/G9 120V	3416 40 Watts	PLUSRITE	100
JCD120V-60W/G9	3418 60 Watts	PLUSRITE	100



### GU10 MR16 (JDR) 120 VOLT

DESCRIPTION	ORDER CODE	BRAND	CASE
JDR35/GU10/NFL25 130V WITH COVER	3480 35 Watts	PLUSRITE	20
JDR50/GU10/NFL25 130V WITH COVER	3481 50 Watts	PLUSRITE	20



### G8 PEANUT BULBS 120 VOLT

DESCRIPTION	BRAND	CASE
JCD20/CL/G8 120V	PLUSRITE	100
JCD50/CL/G8 120V	PLUSRITE	100

## HALOGEN LAMPS



### G4 PEANUT BULBS 12 VOLT

DESCRIPTION	ORDER CODE	BRAND	CASE
JC5/CL/G4 3300 5 Watts		PLUSRITE	100
JC10/CL/G4 3301 10 Watts		PLUSRITE	100
JC20/CL/G4 3302 20 Watts		PLUSRITE	100



### G6.35 PEANUT BULBS 12 VOLT

DESCRIPTION	ORDER CODE	BRAND	CASE
JC20/CL/G6.35 3309 20 Watts		PLUSRITE	100
JC35/CL/G6.35 3305 35 Watts		PLUSRITE	100
JC50/CL/G6.35 3306 50 Watts		PLUSRITE	100
JC100/CL/G6.35 3308 100 Watts		PLUSRITE	100



### JDR MR16 MEDIUM BASE

DESCRIPTION	ORDER CODE	BRAND	CASE
JDR50/E26/WFL50 130V WITH COVER	3475	PLUSRITE	20

## HALOGEN LAMPS



### MR11 12 VOLT 1-3/8" Diameter

DESCRIPTION	ORDER CODE	BRAND	CASE
MR11-FTD - 20W NFL	3202	PLUSRITE	20
MR11-FTD/WC - 20W NFL WITH COVER	3208	PLUSRITE	20
MR11-FTH - 35W NFL	3205	PLUSRITE	20



### MR16 12 VOLT 2" Diameter

DESCRIPTION	ORDER CODE	BRAND	CASE
MR16X-LIFE/BAB - 20W FL	3258	PLUSRITE	20
MR16-BAB/WC - 20W FL W/COVER	3226	PLUSRITE	20
MR16X-LIFE/BAB/WC - 20W FL WITH COVER	3242	PLUSRITE	20
MR16X-LIFE/FMW - 35W FL	3261	PLUSRITE	20
MR16X-LIFE/EXN - 50W FL	3237	PLUSRITE	20
MR16X-LIFE/EXN/WC - 50W FL WITH COVER	3248	PLUSRITE	20

## HALOGEN LAMPS



**T3 DOUBLE ENDED "J" TYPE**

DESCRIPTION ORDER CODE	BRAND	CASE
J120V-100W/118MM 3354	PLUSRITE	100
J130V-150/CL/SHORT 150W 130V 78MM CLEAR 3362	PLUSRITE	100
J130V-250W/78MM 3364	PLUSRITE	100
J120V-300/CL/LONG 300W 120V 118MM CLEAR 3357	PLUSRITE	100
J120V-500/CL/LONG 500W 120V 118MM CLEAR 3358	PLUSRITE	100

## FLUORESCENT LAMPS

### T5 FLUORESCENT

DESCRIPTION ORDER CODE	MOL	BRAND
F4T5/CW	6"	GENERIC
F4T5/D	6"	GENERIC
F6T5/CW	8"	GE
F6T5/D	8"	PHILIPS
F8T5/CW	12"	GENERIC
F8T5/D	12"	GE

DESCRIPTION ORDER CODE	MOL	BRAND	CASE
FL14/T5/830 4100	24"	PLUSRITE	25
FL14/T5/835 4101	24"	PLUSRITE	25
FL14/T5/841 4102	24"	PLUSRITE	25
FL24/T5/830/HO 4115	24" HO	PLUSRITE	25
FL24/T5/835/HO 4116	24" HO	PLUSRITE	25
FL24/T5/841/HO 4117	24" HO	PLUSRITE	25
FL21/T5/830 4105	36"	PLUSRITE	25
FL21/T5/835 4106	36"	PLUSRITE	25
FL21/T5/841 4107	36"	PLUSRITE	25
FL39/T5/830/HO 4120	36" HO	PLUSRITE	25



## FLUORESCENT LAMPS

### T5 FLUORESCENT

DESCRIPTION ORDER CODE	MOL	BRAND	CASE
FL28/T5/830 4110	48"	PLUSRITE	25
FL28/T5/835 4111	48"	PLUSRITE	25
F28W/T5/835/ECO 46705	48"	GE	40
FL28/T5/841 4112	48"	PLUSRITE	25
*** FP28/841/ECO 20902	48"	SYLVANIA	40
F28W/T5/841/ECO 46706	48"	GE	40
FL54/T5/835/HO 4126	48" HO	PLUSRITE	25
*** FP54/835/HO/ECO 20904	48" HO	SYLVANIA	40
FL54/T5/841/HO 4127	48" HO	PLUSRITE	25
F54W/T5/841/ECO 46761	48" HO	GE	40
FL54/T5/850/HO 4128	48" HO	PLUSRITE	25
F54W/T5/850/ECO	48" HO	GE	40
FL54T5/865/HO 4129	48" HO	PLUSRITE	25

\*\*\* While Quantities Last

## FLUORESCENT LAMPS

### T8 FLUORESCENT

DESCRIPTION ORDER CODE	MOL	BRAND	CASE
F14T8/CW	15"	GENERIC	—
F15T8/CW 21616 SYLVANIA	18"	SYLVANIA	25
*** F15T8/WW	18"	GENERIC	—
FO17/830/ECO 22135	24"	SYLVANIA	30
FO17/835/ECO 22136	24"	SYLVANIA	30
FL17T8/841/ECO 4411	24"	PLUSRITE	25
*** F17T8/SPX41/ECO 45749	24"	GE	—
FO17/841/ECO 22137	24"	SYLVANIA	30
F17T8/TL850/ALTO/P 280909	24"	PHILIPS	30
*** FO17/865/XP/ECO 21718	24"	SYLVANIA	—
*** TL-D18W/865 24-Inch	24"	PHILIPS	—
F18T8/D/K26 21728	26"	SYLVANIA	—
F28T8/CW/4/GE (F18T8/CW/K28)	28"	GE	—
F18T8/CW/K30 23030	30"	SYLVANIA	—
FO25/830/ECO 22138	36"	SYLVANIA	30
FO25/835/ECO 22139	36"	SYLVANIA	30
FO25/841/ECO 22140	36"	SYLVANIA	30
F25T8/TL850/ALTO/P 14124	36"	PHILIPS	30

\*\*\* While Quantities Last

## FLUORESCENT LAMPS

### T8 FLUORESCENT

DESCRIPTION ORDER CODE	MOL	BRAND	CASE
*** FL25T8/841/ES/ECO 4194 Energy Saver	48"	PLUSRITE	25
*** FL28T8/835/ECO 4191 Energy Saver	48"	PLUSRITE	25
*** FL28T8/841/ES/ECO 4192 Energy Saver	48"	PLUSRITE	—
F32T8/TL930/ALTO 479592	48"	PHILIPS	30
F32T8/TL935/ALTO 479600	48"	PHILIPS	30
FL32T8/835/ECO 4180 PLUSRITE	48"	PLUSRITE	25
F32T8/TL941/ALTO 479626	48"	PHILIPS	30
FL32T8/841/ECO 4181	48"	PLUSRITE	25
*** FO32/841/ECO	48"	SYLVANIA	30
*** F32T8/TL841/PLUS/ALTO	48"	PHILIPS	—
F32T8/TL950/ALTO 479634	48"	PHILIPS	30
FL32T8/850/ECO 4182	48"	PLUSRITE	25
FO32/865/ECO 24811	48"	SYLVANIA	30
F58T8/840 TLD58W/840	58"	PHILIPS	25
FO96/841/ECO 22149-3 SYLVANIA	96"	SYLVANIA	24
F96T8/TL841/HO/PLUS 236885 PHILIPS	96"	PHILIPS	25
F96T8/SPX41/HO 12534 GE	96"	GE	24
FO96/850/ECO 20335/22173	96"	SYLVANIA	—
F96T8/SPX50/HO 12535	96"	GE	24

\*\*\* While Quantities Last

## FLUORESCENT LAMPS

### T12 FLUORESCENT

DESCRIPTION ORDER CODE	MOL	BRAND	CASE
F14T12/CW 10117	14"	GE	—
*** F15T12/CW	18"	GE	—
*** F15T12/CW 14148-1	18"	PHILIPS	—
F20T12/CW/ALTO 27332-6	24"	PHILIPS	30
F25T12/CW/28" 141358	28"	PHILIPS	—
F25T12/CW/33 38201	33"	GE	—
F30T12/CW/RS/ALTO 27242-7	36"	PHILIPS	30
F30T12/CW 23476 SYLVANIA	36"	SYLVANIA	30
*** F30T12/WW/RS/ALTO 13221-7	36"	PHILIPS	—
F40T12/CW 423889	48"	PHILIPS	—
F40D/EX 14488 GE	48"	GE	30
F96T12/CW 28939 SYLVANIA	96"	SYLVANIA	15
F96T12/D 27438	96"	SYLVANIA	15

\*\*\* While Quantities Last

## FLUORESCENT LAMPS

### T12 HIGH OUTPUT FLUORESCENT

DESCRIPTION ORDER CODE	MOL	BRAND	CASE
F24T12/D/HO 25314	24"	SYLVANIA	30
*** F36T12/D/HO 25332	36"	SYLVANIA	30
F48T12/CW/HO/ALTO 36978-5	48"	PHILIPS	15
F48T12/D/HO/ALTO 36984-3	48"	PHILIPS	15
F60T12/CW/HO 22512	60"	SYLVANIA	15
F60T12/D/HO 25120	60"	SYLVANIA	15
*** F64T12/CW/HO 25352-1	64"	SYLVANIA	30
F64T12/D/HO 22515	64"	SYLVANIA	30
F72T12/CW/HO 366518	72"	PHILIPS	15
F72T12/D/HO/ALTO 36653-4	72"	PHILIPS	15
*** F84T12/CW/HO 25384	84"	SYLVANIA	15
F84T12/D/HO 25385	84"	SYLVANIA	15
F96T12/CW/HO-O/ALTO 381764	96"	PHILIPS	15
F96T12D/HO/CT 25135 SYLVANIA	96"	SYLVANIA	15

\*\*\* While Quantities Last

## FLUORESCENT LAMPS

### SPECIALTY, U-TUBES, CIRCLINES, BLACKLIGHT

DESCRIPTION ORDER CODE	MOL	BRAND	CASE
F15T8/BL/GE 35884 BLACKLIGHT	18"	GE	25
F15T8/BLB/GE 35885 BLACKLIGHT BLUE	18"	GE	25
*** F40CW/U/6/EX 14496	T12 U6	GE	12
F40CX41/U6/LTP 20178 GE	T12 U6	GE	12
FBO31/841 1-5/8 21879	T8 U1-5/8	SYLVANIA	15
FB32T8/TL835/6/ALTO 37900-8	T8 U6	PHILIPS	20
FB32T8/TL841/6/ALTO/P 379024	T8 U6	PHILIPS	20
FB32T8/TL850/6 37880-2	T8 U6	PHILIPS	20
*** FC6T9/CW 24982-1	6" CIRC.	PHILIPS	—
*** FC8T9/CW 33774 GE	8" CIRC.	GE	—
*** FC12T9/CW 33890	12" CIRC.	GE	—
*** FC16T9/CW 33893	16" CIRC.	GE	—
F20T12/BL BLACKLIGHT	24"	GE	24
F32T8/BLB BLACKLIGHT BLUE	48"	GENERIC	25
F40T12/BL368 BLACKLIGHT	48"	SYLVANIA	6
F40T12/BLB (T10) BLACKLIGHT BLUE	48"	GE	6
G36T8/48/UV254 5040 PLUSRITE GERMICIDAL	48"	PLUSRITE	30

\*\*\* While Quantities Last

## FLUORESCENT BALLASTS

DESCRIPTION ORDER CODE	BRAND	CASE
GE240R120-4PK 31305 2X40T12 120V	GE	4
10291 E240T12PRS347/N 1/2L F40T12 347V	STD	10
E-750-U-260 120-277V 1   2L F96T12 120V	SOLA	8
E296T12IS347/N 10302 1   2L F96T12 347V	STD	10
ICN2S110-SC 1/2L F96T12/HO 120V	PHILIPS	—
B295PUNVHE-S010C 1/2L F96T12/HO 120V	ULT	10
E296T12PRS347/N/HO 59658 1   2L F96T12HO 347V	STD	10
BAF232IS/MV 7282 F17-F32 T8 120~277V	PLUSRITE	10
ICN2P32N35M F17-F32 T8 120~277V	PHILIPS	30
GOPA2P32SC F17-F32 T8 347V	PHILIPS	30
BAF232IS/347H 7307 F17-F32 T8 347V	PLUSRITE	10
BAF232IS/347 7305 F17-F32 T8 347V	PLUSRITE	10
ICN4P32N F17-F32 T8 120~277V	PHILIPS	30
BAF432IS/MV/H 7296 F32 T8 120~277V	PLUSRITE	10
BAF432IS/MV/L 7295 F32 T8 120~277V	PLUSRITE	10
GOPA4P32SC F17-F32 T8 347V	PHILIPS	20
BAF432IS/347/H 7312 F17-F32 T8 347V	PLUSRITE	10
BAF432IS/347 7311 F17-F32 T8 347V	PLUSRITE	10

\*\*\* While Quantities Last

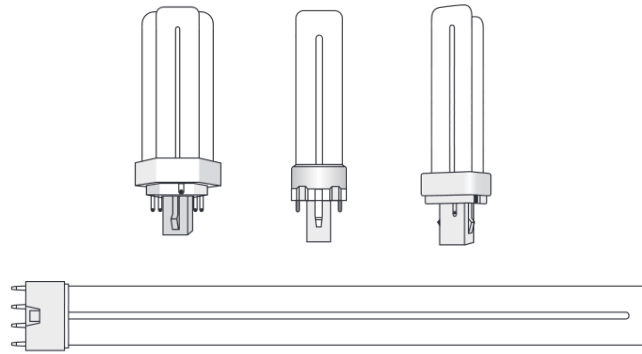
## FLUORESCENT BALLASTS

DESCRIPTION ORDER CODE	BRAND	CASE
E-758-F-259SC 1   2 L F96T8 120V	SOLA	10
E-758-J-259 1   2 L F96T8 347V	SOLA	10
B228PUNV-C001C ULT 1/2 F28T5 120V	ULT	10
*** QTP2x39-24T5HO/UNV F24T5   F39T5HO 120V	SYLVANIA	10
ICN2S5490CN35M 1/2L F54T5HO 120~277V	PHILIPS	18
BAF254PS/MV 7318 1/2L F54T5HO 120~277V	PLUSRITE	10
HCN2S5490CWL 1/2L F54T5HO 347~480V	PHILIPS	10
ICN4S5490C2LSG 3/4L F54T5HO 120~277V	PHILIPS	10
BAF454PS/MV 7319 3/4L F54T5HO 120~277V	PLUSRITE	10
HCN4S5490C2LSG 3/4L F54T5HO 347~480V	PHILIPS	10

\*\*\* While Quantities Last



## COMPACT FLUORESCENT TUBES



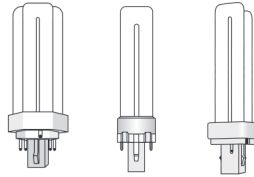
### PLS | TWIN TUBE | BIAX | SINGLE—2 PIN

DESCRIPTION ORDER CODE	WATTS	BRAND	CASE
PL5W/1U/2P/827 4000 G23 2700K	5	PLUSRITE	10
PL5W/1U/2P/841 4002 G23 4100K	5	PLUSRITE	10
PL7W/1U/2P/827 4003 G23 2700K	7	PLUSRITE	10
PL7W/1U/2P/841 4005 G23 4100K	7	PLUSRITE	10
PL9W/1U/2P/827 4006 G23 2700K	9	PLUSRITE	10
PL9W/1U/2P/841 4008 G23 4100K	9	PLUSRITE	10
PL13W/1U/2P/827 4009 GX23 2700K	13	PLUSRITE	10
PL13W/1U/2P/841 4011 GX23 4100K	13	PLUSRITE	10

### PLS | TWIN TUBE | BIAX | SINGLE—4 PIN

DESCRIPTION ORDER CODE	WATTS	BRAND	CASE
PL13W/1U/4P/827 4012 2GX7 2700K	13	PLUSRITE	10
PL13W/1U/4P/841 4014 2GX7 4100K	13	PLUSRITE	10

## COMPACT FLUORESCENT TUBES



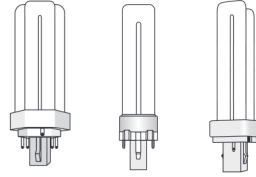
### PLC | DOUBLE TWIN TUBE | DOUBLE BIAX | QUAD—2 PIN

DESCRIPTION ORDER CODE	WATTS	BRAND	CASE
PL9W/2U/2P/827 4015 G23-2 2700K	9	PLUSRITE	10
PL13W/2U/2P/827 4018 GX23-2 2700K	13	PLUSRITE	10
PL13W/2U/2P/835 4019 GX23-2 3500K	13	PLUSRITE	10
PL13W/2U/2P/841 4020 GX23-2 4100K	13	PLUSRITE	10
PL18W/2U/2P/827 4021 G24D-2 2700K	18	PLUSRITE	10
PL18W/2U/2P/841 4023 G24D-2 4100K	18	PLUSRITE	10
PL26W/2U/2P/827 4024 G24D-3 2700K	26	PLUSRITE	10
PL26W/2U/2P/835 4025 G24D-3 3500K	26	PLUSRITE	10
PL26W/2U/2P/841 4026 G24D-3 4100K	26	PLUSRITE	10

### PLC | DOUBLE TWIN TUBE | DOUBLE BIAX | QUAD—4 PIN

DESCRIPTION ORDER CODE	WATTS	BRAND	CASE
PL13W/2U/4P/827 4027G24Q-1 2700K	13	PLUSRITE	10
PL13W/2U/4P/835 4028 G24Q-1 3500K	13	PLUSRITE	10
PL13W/2U/4P/841 4029G24Q-1 4100K	13	PLUSRITE	10
PL18W/2U/4P/827 4030 G24Q-2 2700K	18	PLUSRITE	10
PL18W/2U/4P/835 4031 G24Q-2 3500K	18	PLUSRITE	10
PL18W/2U/4P/841 4032 G24Q-2 4100K	18	PLUSRITE	10
PL26W/2U/4P/827 4033 G24Q-3 2700K	26	PLUSRITE	10
PL26W/2U/4P/835 4034 G24Q-3 3500K	26	PLUSRITE	10
PL26W/2U/4P/841 4035 G24Q-3 4100K	26	PLUSRITE	10

## COMPACT FLUORESCENT TUBES

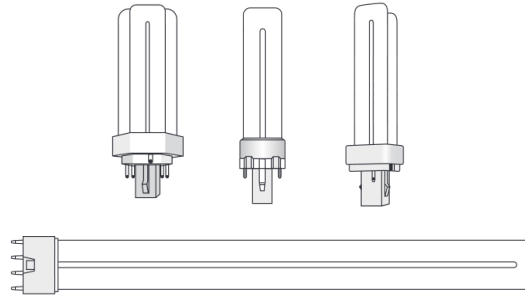


**PLT | TRIPLE TWIN TUBE | TRIPLE BIAx | TRIPLE—4 PIN**

DESCRIPTION ORDER CODE	WATTS	BRAND	CASE
*** PL18W/3U/4P/827 4036 GX24Q-2 2700K	18	PLUSRITE	10
*** PL18W/3U/4P/835 4037 GX24Q-D-2 3500K	18	PLUSRITE	10
*** PL18W/3U/4P/841 4038 DISCONTINUED	18	PLUSRITE	10
PL26W/3U/4P/827 4039 GX24Q-3 2700K	26	PLUSRITE	10
PL26W/3U/4P/835 4040 GX24Q-3 3500K	26	PLUSRITE	10
PL26W/3U/4P/841 4041 GX24Q-3 4100K	26	PLUSRITE	10
PL32W/3U/4P/835 4043 GX24Q-3 3500K	32	PLUSRITE	10
PL32W/3U/4P/841 4044 GX24Q-3 4100K	32	PLUSRITE	10
PL42W/3U/4P/835 4046 GX24Q-4 3500K	42	PLUSRITE	10
*** PL-T 42W/35K/4P 26875-5 GX24Q-4 3500K	42	PHILIPS	—
PL42W/3U/4P/841 4047 GX24Q-4 4100K	42	PLUSRITE	10
PL57W/3U/4P/841 4050 GX24Q-5 4100K	57	PLUSRITE	10

\*\*\* While Quantities Last

## COMPACT FLUORESCENT TUBES



**PLL | LONG TWIN TUBE | BIAX | 4 PIN 2G11**

DESCRIPTION ORDER CODE	WATTS	BRAND	CASE
PL-L18W/841/4P 345017	18	PHILIPS	—
*** SL18L/841/4P 2G11	18	GENERIC	—
FTL40/2G11/830 4300	40	PLUSRITE	50
FTL40W/2G11/835 4301	40	PLUSRITE	50
FTL40W/2G11/841 4302	40	PLUSRITE	50
FTL55/2G11/841 4305	55	PLUSRITE	50

\*\*\* While Quantities Last

## COMPACT FLUORESCENT BALLASTS

### ELECTRONIC COMPACT FLUORESCENT BALLASTS FOR 4 PIN LAMPS

DESCRIPTION	VOLTS	BRAND
*** ICF2S13H1LD35M SIDE ENTRY	120	PHILIPS
*** ICF2S13M1BS35M BOTTOM ENTRY /W STUDS	120	PHILIPS
C2642UNVME000K	120	ULT
C2642/347ME001K	347	ULT
C242UNVME001C	120	ULT
C242/347/ME UNIVERSAL	347	ULT
GEC240MVPS-A/GE 71437 PROGRAM START	120	GE
GEC340MAX-A/GE 71436 PROGRAM START	120	GE
C240SI120RH000C INSTANT START	120	ULT
ICN3TTP40-SC INSTANT START	120	PHILIPS

\*\*\* While Quantities Last

## METAL HALIDE LAMPS



### OPEN OR ENCLOSED FIXTURES—PULSE AND PROBE START

DESCRIPTION	BASE	BRAND	CASE
MP50/ED17/U/4K 1031 PULSE START	EP26	PLUSRITE	12
MP70/ED17/U/4K 1033 PULSE START	EP26	PLUSRITE	12
MP100/ED17/U/4K 1035 PULSE START	EP26	PLUSRITE	12
MP150/ED17/U/4K 1037	EP26	PLUSRITE	12
MP175/ED17/U/4K 1039 PROBE START	EP26	PLUSRITE	12
MP175/ED17/PS/U/4K 1603 PULSE START	EP26	PLUSRITE	12
MP175/BT28/BU/4K 1040	EX39	PLUSRITE	12
MP250/BT28/BU/4K 1041 PROBE START	EX39	PLUSRITE	12
*** MP250/BU-ONLY 64404 PROBE START	EX39	SYLVANIA	—
MP250/ED28/PS/BU/4K 1557 PULSE START	EX39	PLUSRITE	12
MP320/ED28/PS/BU/4K 1613 PULSE START	EX39	PLUSRITE	12
MP320/ED37/PS/BU/4K 1615 PULSE START	EX39	PLUSRITE	12
MP400/BT37/BU/4K 1042 PROBE START	EX39	PLUSRITE	12
MP400/ED28/PS/BU/4K 1565 PULSE START	EX39	PLUSRITE	12
MP400/ED37/PS/BU/4K 1563 PULSE START	EX39	PLUSRITE	12

\*\*\* While Quantities Last

## METAL HALIDE LAMPS

### ENCLOSED FIXTURES—PULSE AND PROBE START

DESCRIPTION	BASE	BRAND	CASE
MVR70/U/MED 12590	E26	GE	12
MH70/ED28/U/4K 1011 PULSE START	E39	PLUSRITE	12
MH100/ED28/U/4K 1012 PULSE START	E39	PLUSRITE	12
MH150/ED28/U/4K 1013 PULSE START	E39	PLUSRITE	12
MH175/ED28/U/4K - 1014 PROBE START	E39	PLUSRITE	12
*** M175/U 64471   64030 PROBE START	E39	SYLVANIA	6
MS200/ED17/PS/U/4K 1669 PULSE START	E26	PLUSRITE	12
MS200/ED28/PS/U/4K 1672 PULSE START	E39	PLUSRITE	12
MH250/ED28/U/4K - 1017 PROBE START	E39	PLUSRITE	12
*** M250/U 64457   64032 PROBE START	E39	SYLVANIA	6
MH400/ED28/U/4K 1022 PROBE START	E39	PLUSRITE	12
*** M400/U/ED28 64034 PROBE START	E39	SYLVANIA	6
MH400/ED37/U/4K - 1024 PROBE START	E39	PLUSRITE	12
MS400/ED37/PS/U/4K 1592 PULSE START	E39	PLUSRITE	12
MH1000/BT37/U/4K - 1028 PROBE START	E39	PLUSRITE	12
MH1000/BT56/U/4K - 1029 PROBE START	E39	PLUSRITE	6
*** M1000/U 64468 PROBE START	E39	SYLVANIA	6
MVR1000/U	E39	GE	—
MH1500/BT56/U/4K 1030 PROBE START	E39	PLUSRITE	6

\*\*\* While Quantities Last

## METAL HALIDE LAMPS



### PULSE START CERAMIC METAL HALIDE

DESCRIPTION / ORDER CODE	BASE	BRAND
CMH20MR16/FL/830 1201	GX10	PLUSRITE
CMH20T4/G8.5/830 1236	G8.5	PLUSRITE
CMH39T4/G8.5/830 1238	G8.5	PLUSRITE
CMH39T6/G12/830 1242	G12	PLUSRITE
CMH70T4/G8.5/830 1240	G8.5	PLUSRITE
CMH70T4/G8.5/942 1241	G8.5	PLUSRITE
MH70/G12/UVS/4K 1049	G12	PLUSRITE
CMH70/U/ED17/3K 1256	E26	PLUSRITE
CMH70/U/ED17/4K 1257	E26	PLUSRITE
MHC70/U/MP/4K/ALTO 42995-0	E26	PHILIPS
MH100/G12/UVS/4K 1050	G12	PLUSRITE
MH150/G12/UVS/4K 1051	G12	PLUSRITE



## METAL HALIDE BALLASTS

ORDER CODE / DESCRIPTION	WATTS	ANSI	BRAND
BAPS50-HX/V3 7201 120/277/347 TRI-TAP	50	M110	PLUSRITE
BAPS70-HX/V3 - 7203 120/277/347 TRI-TAP	70	M98	PLUSRITE
EMZAFTJ70 70MHPS TRI 120/277/347 TRI-TAP	70	M98	SOLA
EMZAFTJ70F F-CAN MH 120/277/347 TRI-TAP (POTTED)	70	M98	SOLA
EMZAFTJ100 MH 120/277/347 TRI-TAP	100	M90	SOLA
BAPS100-HX/V3 7205	100	M90	PLUSRITE
BAPS150-HX3/V3 7209 120/277/347 TRI-TAP	150	M102	PLUSRITE
EMZAFTJ150 MH TRI-TAP	150	M102	SOLA
BAMH175-CWA/V3 7211 120/277/347 TRI-TAP	175	M57	PLUSRITE
E871-FTJ-117 175 MH TRI-TAP	175	M57	SOLA
BAPS175-CWA/V4 7212 120/208/240/277 QUAD-TAP	175	M137	PLUSRITE
BAMH250-CWA/V3 7218 120/277/347 TRI-TAP	250	M58	PLUSRITE
EMMCAFTJ250 MH TRI-TAP	250	M58	SOLA
E871-FTJ-320 PS TRI 120/277/347 TRI-TAP	320	M132	PLUSRITE
BAMH400-CWA/V3 7231 120/277/347 TRI-TAP	400	M59	PLUSRITE
BAMH400-CWA/V4 7230 120/208/240/277 QUAD-TAP	400	M59	PLUSRITE
EMCA00W400 400 MH 120/208/240/277 QUAD-TAP	400	M59	SOLA
BAPS400-CWA/V4 7232 120/208/240/277 QUAD-TAP	400	M155	PLUSRITE
EMMCAFTJ1000 MH TRI-TAP	1000	M47	SOLA
M1000TRIAC5M500C 1000W MH TRI-TAP	1000	M47	UNIVERSAL
EMMCA00W1000 MH QUAD-TAP	1000	M47	PLUSRITE

## HIGH PRESSURE SODIUM LAMPS



ORDER CODE / DESCRIPTION	BASE	BRAND	CASE
LU35/ED17/MED 2000	E26	PLUSRITE	12
LU50/ED17/MED 2001	E26	PLUSRITE	12
LU70/ED17/MED 2002	E26	PLUSRITE	12
LU70/ED23.5/ECO - 2044	E39	PLUSRITE	12
LU100/ED17/MED 2003	E26	PLUSRITE	12
LU100/ED23.5/ECO - 2045	E39	PLUSRITE	12
LU150/ED17/MED - 2004	E26	PLUSRITE	12
LU150/ED23.5/ECO - 2046	E39	PLUSRITE	12
LU200/ET18/ECO 2049	E39	PLUSRITE	12
LU250/ET18/ECO - 2047	E39	PLUSRITE	12
LU400/ET18/ECO - 2048	E39	PLUSRITE	12
LU1000/ET25/ECO 2050	E39	PLUSRITE	12

## HIGH PRESSURE SODIUM BALLASTS



ORDER CODE / DESCRIPTION	WATTS	ANSI	BRAND
ESZAFTJ70 HPS 120/277/347 TRI-TAP	70	S62	SOLA
ESRN00F100 120V HPS REACTOR	100	S54	SOLA
ESZAFTJ100 HPS 120/277/347 TRI-TAP	100	S54	SOLA
BALU100-HX4/V4 7252 QUAD-TAP	100	S54	PLUSRITE
ESRN00F150 150W 120V REACTOR	150	S55	SOLA
ESZAFTJ150 HPS 120/277/347 TRI-TAP	150	S55	SOLA
BALU150-HX/V4 7254 QUAD-TAP	150	S55	PLUSRITE
BALU250-CWA/V3 7258 120/277/347 TRI-TAP	250	S50	PLUSRITE
BALU400-CWA/V3 7260 120/277/347 TRI-TAP	400	S51	PLUSRITE
E971-W-SO400 400HPS 120/208/240/277 QUAD-TAP	400	S51	SOLA
BALU1000-CWA/V3 7264 120/277/347 TRI-TAP	1000	S52	PLUSRITE
BALU1000-CWA/V4 7263 120/208/240/277 QUAD-TAP	1000	S52	PLUSRITE