

# Explosion Protected Stainless Steel Control Stations 8150 Series

CONTROL & SIGNALING STATIONS



## CONTROLS

STAHL

### 8150 Features:

- Attractive space efficient design
- Enclosures made of stainless steel for excellent corrosion resistance
- Snap-on mounting of individual components
- High illumination LED pilot lights from 12 V to 254 V, AC or DC with an operating lifetime over 100,000 hours
- A variety of pushbuttons, control switches and illuminated pushbuttons
- Durable silicone foamed enclosure gaskets are concealed to protect from damage or premature aging by UV light and chemicals
- Fluorsilicate gasket in standard pushbutton actuators is suitable for a wide temperature range
- Globally Certified, one part number provides Class I, Division 2, ATEX and IECEx Zone 1 certifications
- Also available in EAC, INMETRO, KGS, and others

### CONTROL & SIGNALING STATIONS



#### CLASSIFICATIONS

**NEC-** Class I, Zones 1 & 2  
AEx db eb IIC T6 Gb  
Class I, Division 2, Groups A,B,C,D  
Class II, Division 2, Groups F,G  
Class III Enclosure  
Type 3,4 & 4X; IP66

**CEC-** Class I, Zones 1 & 2  
Ex db eb IIC T6 Gb  
Class I, Division 2, Groups A,B,C,D  
Class II, Division 2, Groups F,G  
Class III

File No. E182378

**ATEX**  
 II 2 G Ex db eb IIC T6 Gb  
II 2 D Ex tb IIIC T80°C - IP66

**IECEX**  
Ex db eb IIC T6 Gb  
Ex tb IIIC T80°C - IP66

**Ambient Temperature Range:**  
+40°C (+104°F) Max.  
-50°C (-58°F) Min.

**Special Ambient Temperature Range:\***  
\*Consult Factory

316L Stainless Steel with silicone foamed recessed gasketing.



The ConSig 8150 Series is a new generation of control and signaling stations utilizing explosion protected components with stainless steel enclosures for the ultimate flexibility, safety and durability in Hazardous (Classified) and Hostile (Corrosive) Locations.

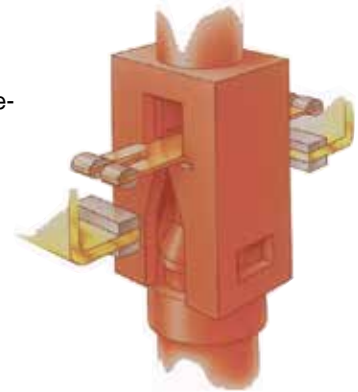
This control and signaling station utilizes snap-on mounted components making field assembly quick and easy. Components include contact blocks with a variety of actuator options, LED pilot lights in all of the standard colors and voltages from 12 V to 254 V AC / DC, 2-pole and 4-pole control switches configurations.

#### Enclosures

ConSig 8150 Series can be specified as one, two or three gang configurations and is made of stainless steel. Enclosure gasketing is durable silicone foamed which is concealed to protect it from premature aging by UV light and chemical elements. Components snap-on to the rail provided.

#### Contact Blocks

The contact system incorporates 8082 Series contact blocks which are individually explosion-protected, single-pole units and are available as 1 N.O. or 1 N.C. The contact blocks incorporate a parallel bridge contact (H-contact) designed to ensure utmost contact reliability even with very low control voltages and currents. Any combination can be installed to provide a complete range of control configurations. Standard actuator styles include a double pushbutton and illuminated pushbutton.



#### LED Pilot Lights

ConSig 8150 Series introduces an extraordinary compact LED pilot light unit. The 8010 Series pilot light incorporates electronics which allow the same unit to operate at any voltage from 12 to 254 V AC / DC. High output LEDs are used to provide superior illumination levels which are visible in direct sunlight from the front or side. The bezel is clear and the snap-on lenses are added in the colors red, green, amber, white, and blue.

#### Control Switches

8008 Series control switches offer over 300 different switching configurations. They are available as 2-pole and 4-pole units incorporating maintained or spring return action. The control switch is for quick and easy snap-on mounting. Three styles of handles, with or without padlocking provision can be used in conjunction with the switches.

#### Illuminated Pushbuttons

Illuminated pushbuttons make it possible to have control and signaling functions in the space of one. This is achieved by combining the 8082 Series Contact Blocks and 8010 Series LED Pilot Lights under a special illuminated pushbutton actuator which is spring return with a clear bezel and five colored snap-on lenses in red, green, amber, white, and blue.



CONTROL & SIGNALING STATIONS

316 Stainless Steel  
Construction for Excellent  
Corrosion Resistance

Captive Stainless Steel  
Tri-Drive Screws  
No Loose Bolts

Choose From One Of  
Hundreds of Operator  
Combinations


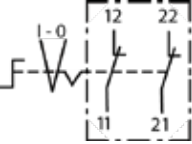


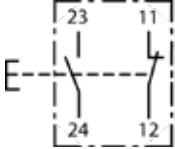
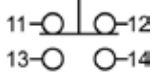

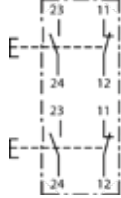
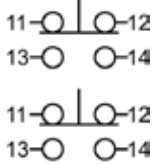


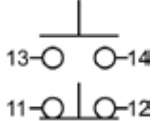

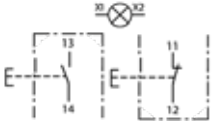
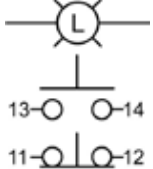

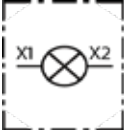

Globally Certified For:  
Class I, Division 2, Zone 1  
ATEX / IECEx Zone 1  
Available in:  
CU-TR, INMETRO  
KGS, and more upon requests

No Conduit Seals Required

3/4" Standard NPT Conduit Hub




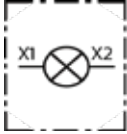


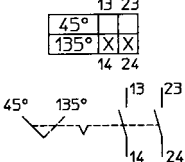
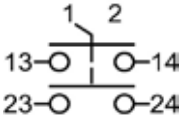

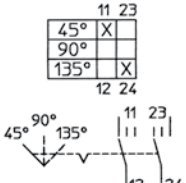
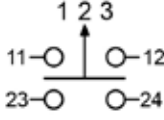

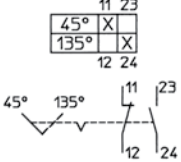
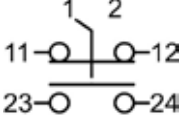

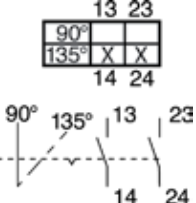
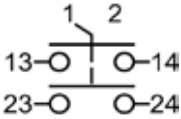

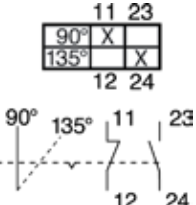
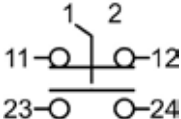

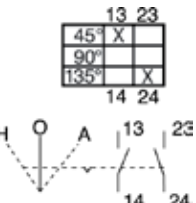
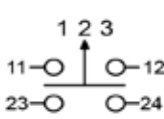
**Ordering Information**

	Function		Contact Symbols		Catalog Number	Article / SAP Number
			IEC	NEMA		
	"E-STOP" RED JUMBO Mushroom Maintained 2 N.C.				8150/5-124-C150	<b>285432</b>
	"START" Momentary Green Pushbutton 1 N.O. / 1 N.C.				8150/5-124-U011	<b>285446</b>
	"START" Momentary Green Pushbutton 1 N.O. / 1 N.C.	"STOP" Momentary Red Pushbutton 1 N.O. / 1 N.C.			8150/5-224-U011-U012	<b>285439</b>
	"START" Momentary Double PB 1 N.O.	"STOP" Momentary Double PB 1 N.C.			8150/5-124-U2312	<b>285437</b>
	"PILOT LIGHT" RED LED 12 V- 254 V AC / DC	"START-STOP" Momentary Double PB 1 N.O. / 1 N.C.			8150/5-224-PLR0-U2312	<b>285438</b>
	"PILOT LIGHT" RED LED 12 V - 254 V AC / DC				8150/5-124-PLR0	<b>285436</b>

All above stations include one 3/4" hub bottom.

PRE-CONFIGURED CONTROL STATIONS

**Ordering Information**

	Function	Contact Symbols		Catalog Number	Article / SAP Number
		IEC	NEMA		
	"PILOT LIGHT" GREEN LED 12 V - 254 V AC / DC			8150/5-124-PLG0	285435
	"OFF- ON" Maintained Control Switch 2-Pos. / 2-Pole 10 amps			8150/5-124-L021	285443
	"H - O - A" Maintained Control Switch 3-Pos. / 2- Pole 10 amps			8150/5-124-L273	285434
	"LOCAL REMOTE" Maintained Control Switch 2-Pos. / 2-Pole 10 amps			8150/5-124-L164	285445
	"OFF- ON" Maintained Selector Switch 2-Positions 10 amps			8150/5-124-02MN1	285441
	"LOCAL REMOTE" Maintained Selector Switch 2-Positions 10 amps			8150/5-124-U2MN4	285442
	"H - O - A" Maintained Selector Switch 3-Positions 10 amps			8150/5-124-03MMN3	285433

All above stations include one 3/4" hub bottom.





### CUSTOM CONFIGURATION LOGIC

#### Start Here

<b>ConSig</b>	<b>Enclosure</b>	
Control Station <b>8150/5-</b>	Enclosure Type ( ___ )	Entry or Entries ( ___ )

#### CLASSIFICATIONS

**NEC-** Class I, Zones 1 & 2  
 AEx db eb IIC T6 Gb  
 Class I, Division 2, Groups A,B,C,D  
 Class II, Division 2, Groups F,G  
 Class III Enclosure  
 Type 3,4 & 4X; IP66

**CEC-** Class I, Zones 1 & 2  
 Ex db eb IIC T6 Gb  
 Class I, Division 2, Groups A,B,C,D  
 Class II, Division 2, Groups F,G  
 Class III

**UL** File No. E182378  
LISTED

#### ATEX

II 2 G Ex db eb IIC T6 Gb  
 II 2 D Ex tb IIIC T80°C - IP66

#### IECEx

Ex db eb IIC T6 Gb  
 Ex tb IIIC T80°C - IP66

#### Ambient Temperature Range:

+40°C (+104°F) Max.  
 -50°C (-58°F) Min.

#### Special Ambient Temperature Range:\*

\*Consult Factory

316L stainless steel with silicone foamed recessed gasketing.

#### FEATURES

The 8150 Series of control & signaling stations with its many enclosure sizes and components is uniquely flexible.

#### How to use configuration logic tables:

Fill in the blanks from left to right in the light blue striped fields located on the top of pages F5 and F6 using the information stated below in the individual fields.

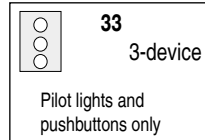
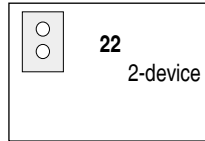
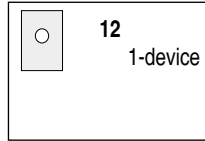
**Step 1:** Select enclosure type

**Step 2:** Select entry or entries

**Step 3:** Select the device mounted to the cover as well as the device mounted into the back box.

**Step 4:** Repeat step 3 when configuring a two-device station.

**Step 5:** Repeat step 3 when configuring a three-device station.



#### Entry Type:

##### Conduit Hub

- 0 = 1/2" Hub Top Feed
- 1 = 1/2" Hub Bottom Feed
- 2 = 1/2" Hub Feed-Thru
- 3 = 3/4" Hub Top Feed
- 4 = 3/4" Hub Bottom Feed
- 44 = 2x 3/4" Hub Bottom Feed
- 5 = 3/4" Hub Feed-Thru

##### Compression Gland - FOR IECEx / ATEX only Non-Metallic Cable Glands

- J = M20 Gland Bottom Feed
- K = M20 Gland Feed-Through
- 6 = M25 Gland Top Feed
- 7 = M25 Gland Bottom Feed
- 8 = M25 Gland Feed-Thru
- 9 = Special (specify)\*

\* For additional options regarding these entries see the Accessories Section in the catalog.

### CUSTOM CONFIGURATION LOGIC

Device Specification (1, 2 or 3 devices described from top to bottom)		
First or only position (_____)	Second position (_____)	Third position (_____)

Pushbuttons		
<b>Contact type</b> <b>X</b> = 1 N.O. <b>Y</b> = 1 N.C. <b>U</b> = 1 N.O. / 1 N.C. <b>O</b> = 2 N.O. <b>C</b> = 2 N.C. <b>M</b> = 2 N.C. / 1 N.O. <b>W</b> = 1 N.C. / 2 N.O. <b>T</b> = 3 N.C. <b>R</b> = 3 N.O. <b>D*</b> = 2 N.O. / 2 N.C. <small>*For four contact block arrangements please confirm layout with the factory.</small>	<b>Actuator type</b> <b>01</b> = Standard Momentary <b>03</b> = Black Momentary Small Mushroom <b>09</b> = Keyed E-STOP Red Mushroom Maintained <b>10</b> = E-STOP Red Small Mushroom Maintained <b>12</b> = Black Small Mushroom Maintained <b>15</b> = E-STOP Red Jumbo Mushroom Maintained <b>23</b> = Double Pushbutton Momentary <b>P733</b> = Device Close-up Plug	<b>Legend</b> 0 = none 1 = START 2 = STOP 3 = ON 4 = OFF 5 = RUN 6 = RESET 7 = OPEN 8 = CLOSE 9 = special (specify)

Selector Switches			
<b>X</b> = 1 N.O. <b>Y</b> = 1 N.C. <b>U</b> = 1 N.O. / 1 N.C. <b>O</b> = 2 N.O. <b>C</b> = 2 N.C.	<b>2SK</b> <b>2MK</b> <b>3SSK</b> <b>3MMK</b> <b>3SMK</b> <b>3MSK</b>	<b>2SN</b> <b>2MN</b> <b>3SSN</b> <b>3MMN</b> <b>3SMN</b> <b>3MSN</b>	<b>2SL</b> <b>2ML</b> <b>3SSL</b> <b>3MML</b> <b>3SML</b> <b>3MSL</b>

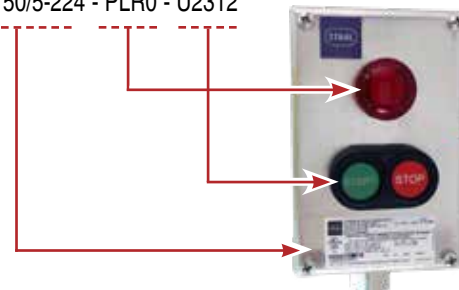
**Note:**  
For Actuator Descriptions (see page F24)

Pilot Lights		
<b>PL</b>	<b>Color</b> <b>A</b> = amber <b>B</b> = blue <b>G</b> = green <b>R</b> = red <b>W</b> = white	<b>Legend</b> Same # as pushbutton

Control Switches		
<b>Actuator type</b> <b>N</b> = Non-lockable <b>S</b> = Small-lockable <b>L</b> = Large lockable	<b>Switch arrangements 2-pole</b> <b>02</b> = 2-pos. Maintained (OFF-ON) <b>05</b> = 2-pos. Maintained (ON-OFF) <b>16</b> = 2-pos. Maintained (LOCAL-REMOTE) <b>27</b> = 3-pos. Maintained (HAND-O-AUTO) <b>38</b> = 3-pos. Maint., Spring Return from Right (OFF-RUN-START) <b>Switch arrangements 4-pole</b> <b>102</b> = 2-pos. OFF-ON <b>106</b> = 2-pos. LOCAL-REMOTE <b>119</b> = 3-pos. HOA <small>For more switching arrangements see pgs.F27 and F28..</small>	<b>Legend</b> 0 = none 1 = OFF-ON 2 = ON-OFF 3 = HAND-O-AUTO 4 = LOCAL-REMOTE 5 = STOP-RUN-START 6 = O - I 7 = blank one line text 8 = blank two lines text 9 = special (specify)

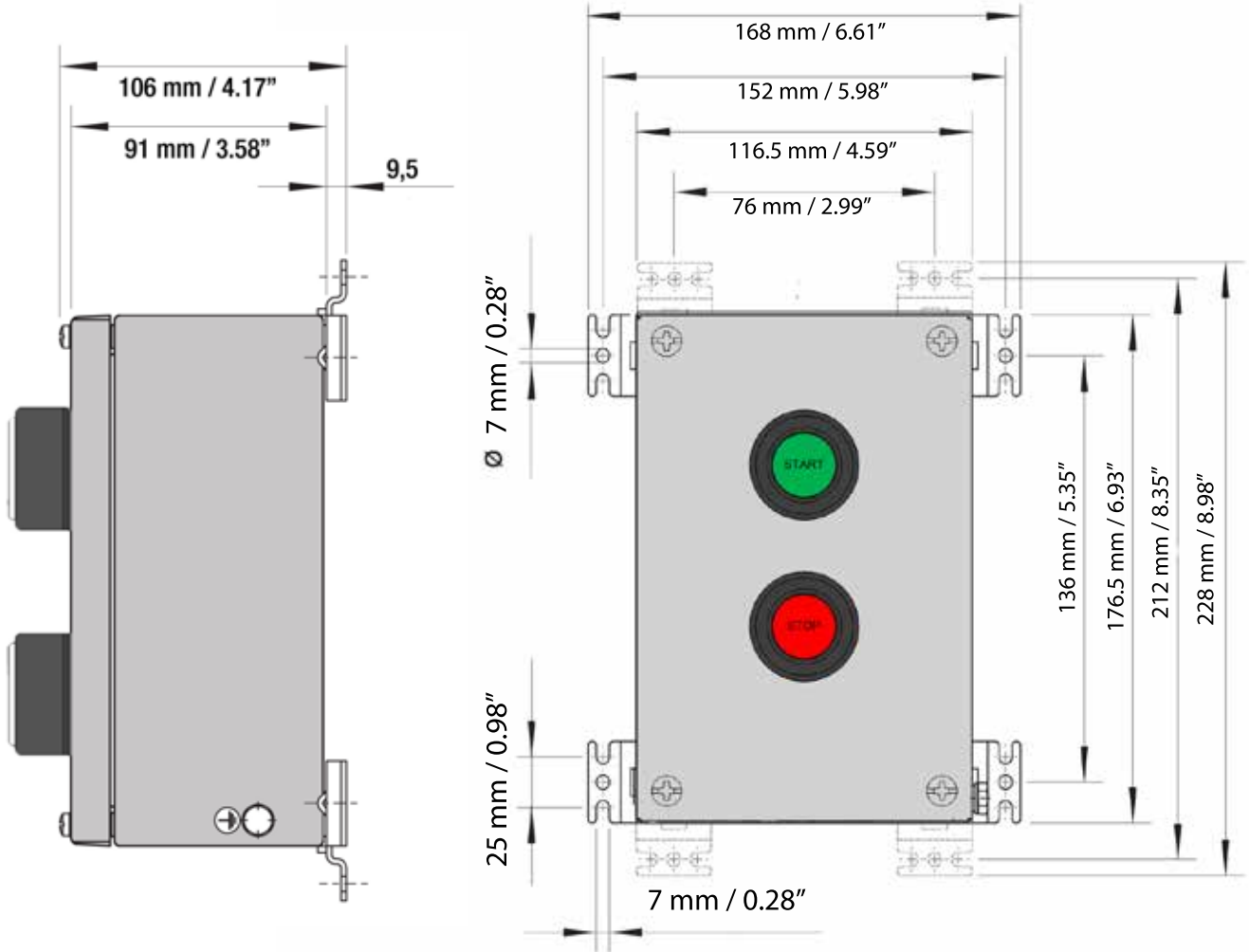
Illuminated Pushbuttons			
<b>Spring return</b> <b>SR</b> <b>SG</b> <b>SA</b> <b>SW</b> <b>SB</b>	<b>Colors</b> red green amber white blue	<b>Contact type</b> <b>X</b> = 1 N.O. <b>Y</b> = 1 N.C. <b>U</b> = 1 N.O. / 1 N.C. <b>O</b> = 2 N.O. <b>C</b> = 2 N.C.	<b>Legend</b> Same # as pushbuttons

**Example**  
8150/5-224 - PLR0 - U2312



Pushbutton Lockouts/Guards
<b>LK01</b> = Momentary Lockout (01)
<b>LK02</b> = Momentary Exclusion (01)
<b>LK03</b> = Small Yellow Mushroom Guard (09, 10 & 12)
<b>LK10</b> = Small Mushroom Lockout (10 & 12)
<b>LK11</b> = Small Mushroom Pin & Chain Lockout (10 & 12)
<b>LK20</b> = Small Mushroom Exclusion Lockout (03, 10 & 12)
<b>LK21</b> = Momentary Pushbutton (01) exclusion

DIMENSIONS





# ConSig 8150/5-V40-CSS Series

CONTROL & SIGNALING STATIONS

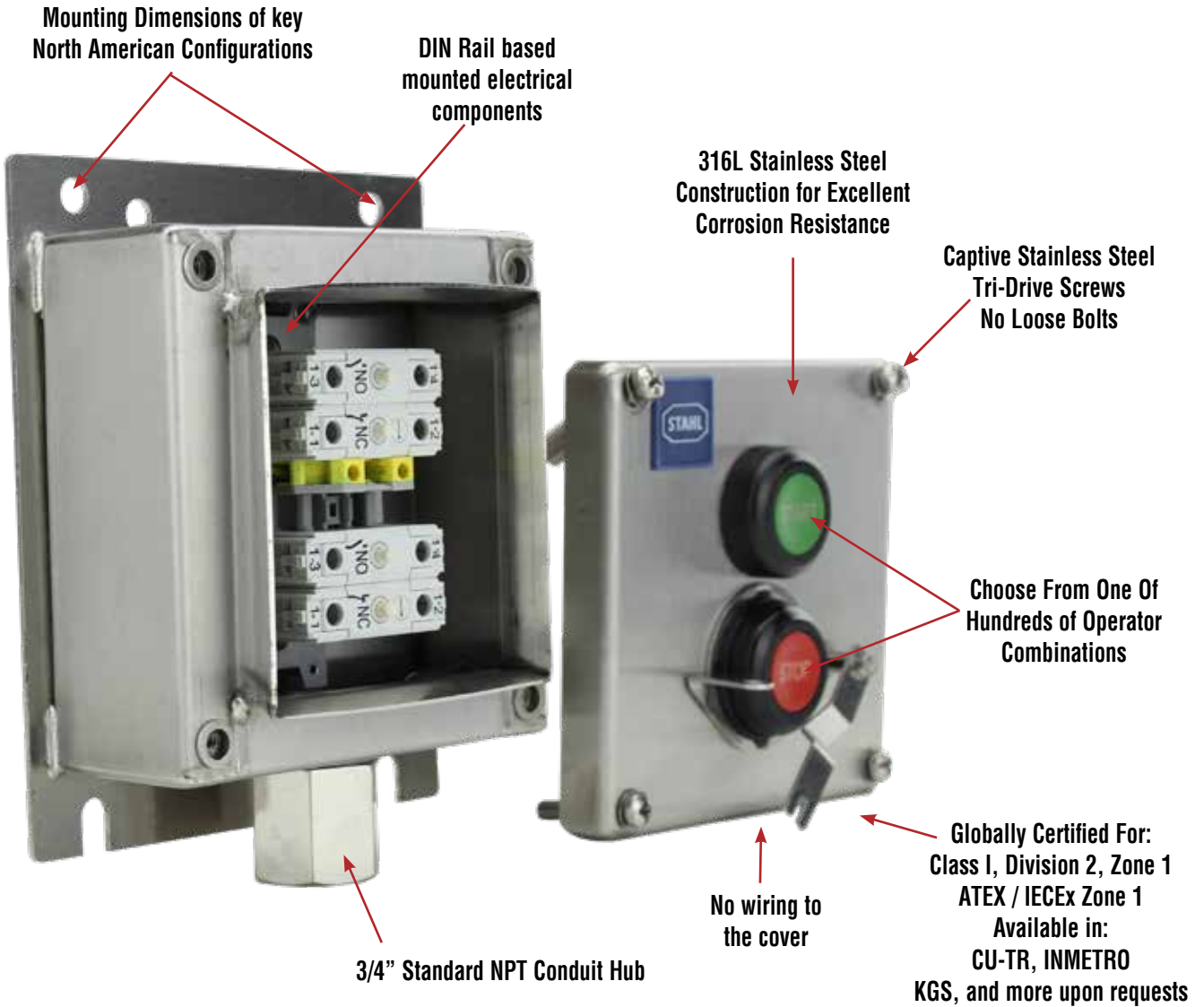


## CONTROLS

STAHL

### 8150/5-V40-CSS Features:


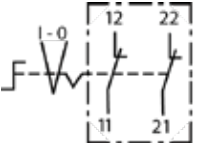


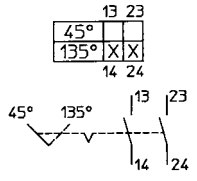
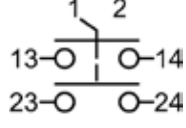

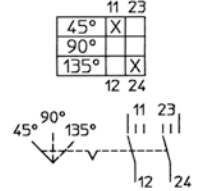
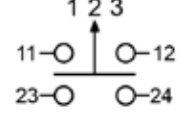

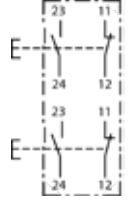
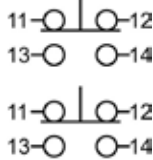


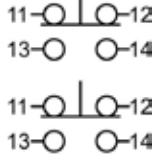
- Enclosures are designed with mounting dimensions of key North American Configurations
- Enclosures made of 316L stainless steel for excellent corrosion resistance
- Snap-on mounting of individual components
- High illumination LED pilot light from 12 V to 254 V, AC or DC with an operating lifetime over 100,000 hours
- A variety of pushbuttons, control switches and illuminated pushbuttons
- Durable silicone foamed enclosure gaskets are concealed to protect from damage or premature aging by UV light and chemicals
- Globally Certified, one part number provides Class I, Division 2, ATEX and IECEx Zone 1 certifications
- Also available in EAC, INMETRO, KGS, and others



- No Conduit Seals Required
- Easy Troubleshooting
- Enhanced Electrical Safety
- Lockout Devices Available

PRE-CONFIGURED CONTROL STATIONS

**Ordering Information**

	Function	Contact Symbols		Catalog Number	Article / SAP Number	
		IEC	NEMA			
	"E-STOP" RED JUMBO Mushroom Maintained 2 N.C.			8150/5-V40-CSS- 124-C150	<b>301292</b>	
	"OFF - ON" Maintained Control Switch 2-Pos. / 2-Pole 10 amps			8150/5-V40-CSS- 124-L021	<b>301293</b>	
	"H -O-A" Maintained Control Switch 3-Pos. / 2-Pole 10 amps			8150/5-V40-CSS- 124-L273	<b>301294</b>	
	"START" Momentary Green Pushbutton 1 N.O. / 1 N.C.	"STOP" Momentary Red Pushbutton 1 N.O. / 1 N.C.			8150/5-V40-CSS- 224-U011-U012	<b>301295</b>
	"START" Momentary Green Pushbutton 1 N.O. / 1 N.C.	"STOP" Momentary Red Lockout Pushbutton 1 N.O. / 1 N.C.			8150/5-V40-CSS- 224-U011-U012-LK01	<b>301296</b>

All above stations include one 3/4" hub bottom.



### CUSTOM CONFIGURATION LOGIC

#### Start Here

ConSig	Enclosure	
Control Station 8150/5-V40-CSS	Enclosure Type ( ___ )	Entry or Entries ( ___ )

#### CLASSIFICATIONS

**NEC-** Class I, Zones 1 & 2  
 AEx db eb IIC T6 Gb  
 Class I, Division 2, Groups A,B,C,D  
 Class II, Division 2, Groups F,G  
 Class III Enclosure  
 Type 3,4 & 4X; IP66

**CEC-** Class I, Zones 1 & 2  
 Ex db eb IIC T6 Gb  
 Class I, Division 2, Groups A,B,C,D  
 Class II, Division 2, Groups F,G  
 Class III

US File No. E182378  
 LISTED

#### ATEX

II 2 G Ex db eb IIC T6 Gb  
 II 2 D Ex tb IIIC T80°C - IP66

#### IECEx

Ex db eb IIC T6 Gb  
 Ex tb IIIC T80°C - IP66

#### Ambient Temperature Range:

+40°C (+104°F) Max.  
 -50°C (-58°F) Min.

#### Special Ambient Temperature Range:\*

\*Consult Factory

316L stainless steel with silicone foamed recessed gasketing.

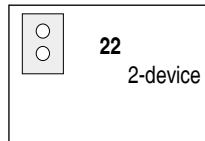
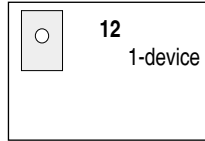
#### FEATURES

The 8150 Series of control & signaling stations with its many enclosure sizes and components is uniquely flexible.

#### How to use configuration logic tables:

Fill in the blanks from left to right in the light blue striped fields located on the top of pages F11 and F12 using the information stated below in the individual fields.

- Step 1:** Select enclosure type
- Step 2:** Select entry or entries
- Step 3:** Select the device mounted to the cover as well as the device mounted into the back box.
- Step 4:** Repeat step 3 when configuring a two-device station.
- Step 5:** Repeat step 3 when configuring a three-device station.



#### Entry Type:

##### Conduit Hub

- 0 = 1/2" Hub Top Feed
- 1 = 1/2" Hub Bottom Feed
- 2 = 1/2" Hub Feed-Thru
- 3 = 3/4" Hub Top Feed
- 4 = 3/4" Hub Bottom Feed
- 44 = 2x 3/4" Hub Bottom Feed
- 5 = 3/4" Hub Feed-Thru

##### Compression Gland - FOR IECEx / ATEX only Non-Metallic Cable Glands

- J = M20 Gland Bottom Feed
- K = M20 Gland Feed-Through
- 6 = M25 Gland Top Feed
- 7 = M25 Gland Bottom Feed
- 8 = M25 Gland Feed-Thru
- 9 = Special (specify)\*

\* For additional options regarding these entries see the Accessories Section in the catalog.

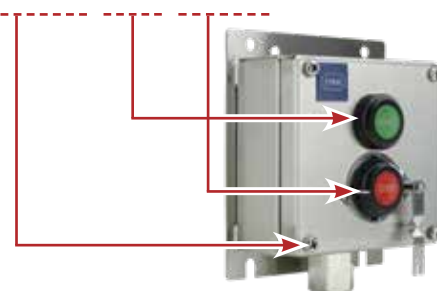


### CUSTOM CONFIGURATION LOGIC

#### Example

8150/5-V40-CSS-224 - U011 - U012-LK01

Device Specification (1, 2 or 3 devices described from top to bottom)		
First or only position (_____)	Second position (_____)	Third position (_____)



Pushbuttons		
<b>Contact type</b> X = 1 N.O. Y = 1 N.C. U = 1 N.O. / 1 N.C. O = 2 N.O. C = 2 N.C. M = 2 N.C. / 1 N.O. W = 1 N.C. / 2 N.O. T = 3 N.C. R = 3 N.O. D* = 2 N.O. / 2 N.C. <small>*For four contact block arrangements please confirm layout with the factory.</small>	<b>Actuator type</b> 01 = Standard Momentary 03 = Black Momentary Small Mushroom 09 = Keyed E-STOP Red Mushroom Maintained 10 = E-STOP Red Small Mushroom Maintained 12 = Black Small Mushroom Maintained 15 = E-STOP Red Jumbo Mushroom Maintained 23 = Double Pushbutton Momentary P733 = Device Close-up Plug	<b>Legend</b> 0 = none 1 = START 2 = STOP 3 = ON 4 = OFF 5 = RUN 6 = RESET 7 = OPEN 8 = CLOSE 9 = special (specify)

Pushbutton Lockouts/Guards
LK01 = Momentary Lockout (01)
LK02 = Momentary Exclusion (01)
LK03 = Small Yellow Mushroom Guard (09, 10 & 12)
LK10 = Small Mushroom Lockout (10 & 12)
LK11 = Small Mushroom Pin & Chain Lockout (10 & 12)
LK20 = Small Mushroom Exclusion Lockout (03, 10 & 12)
LK21 = Momentary Pushbutton (01) exclusion

Selector Switches			
X = 1 N.O. Y = 1 N.C. U = 1 N.O. / 1 N.C. O = 2 N.O. C = 2 N.C.	2SK 2MK 3SSK 3MMK 3SMK 3MSK	2SN 2MN 3SSN 3MMN 3SMN 3MSN	2SL 2ML 3SSL 3MML 3SML 3MSL

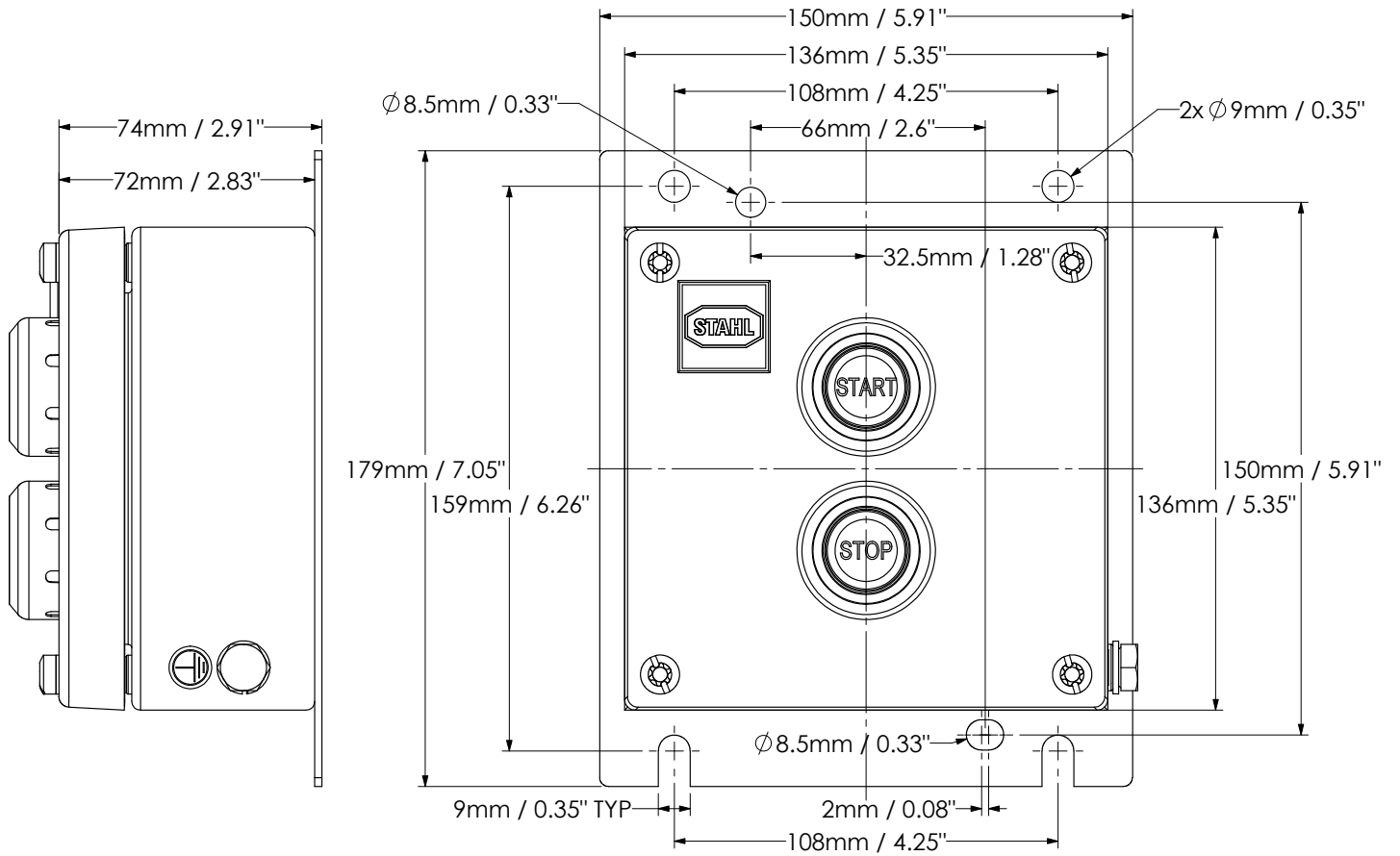
**Note:**  
For Actuator Descriptions (see page F24)

Pilot Lights		
PL	<b>Color</b> A = amber B = blue G = green R = red W = white	<b>Legend</b> Same # as pushbutton

Control Switches		
<b>Actuator type</b> N = Non-lockable S = Small-lockable L = Large lockable	<b>Switch arrangements 2-pole</b> 02 = 2-pos. Maintained (OFF-ON) 05 = 2-pos. Maintained (ON-OFF) 16 = 2-pos. Maintained (LOCAL-REMOTE) 27 = 3-pos. Maintained (HAND-O-AUTO) 38 = 3-pos. Maint., Spring Return from Right (OFF-RUN-START) <b>Switch arrangements 4-pole</b> 102 = 2-pos. OFF-ON 106 = 2-pos. LOCAL-REMOTE 119 = 3-pos. HOA <small>For more switching arrangements see pgs.F27 and F28.</small>	<b>Legend</b> 0 = none 1 = OFF-ON 2 = ON-OFF 3 = HAND-O-AUTO 4 = LOCAL-REMOTE 5 = STOP-RUN-START 6 = O - I 7 = blank one line text 8 = blank two lines text 9 = special (specify)

Illuminated Pushbuttons			
<b>Spring return</b> SR SG SA SW SB	<b>Colors</b> red green amber white blue	<b>Contact type</b> X = 1 N.O. Y = 1 N.C. U = 1 N.O. / 1 N.C. O = 2 N.O. C = 2 N.C.	<b>Legend</b> Same # as pushbuttons

*DIMENSIONS*



# ConSig 8040 Series

CONTROL & SIGNALING STATIONS



## CONTROLS

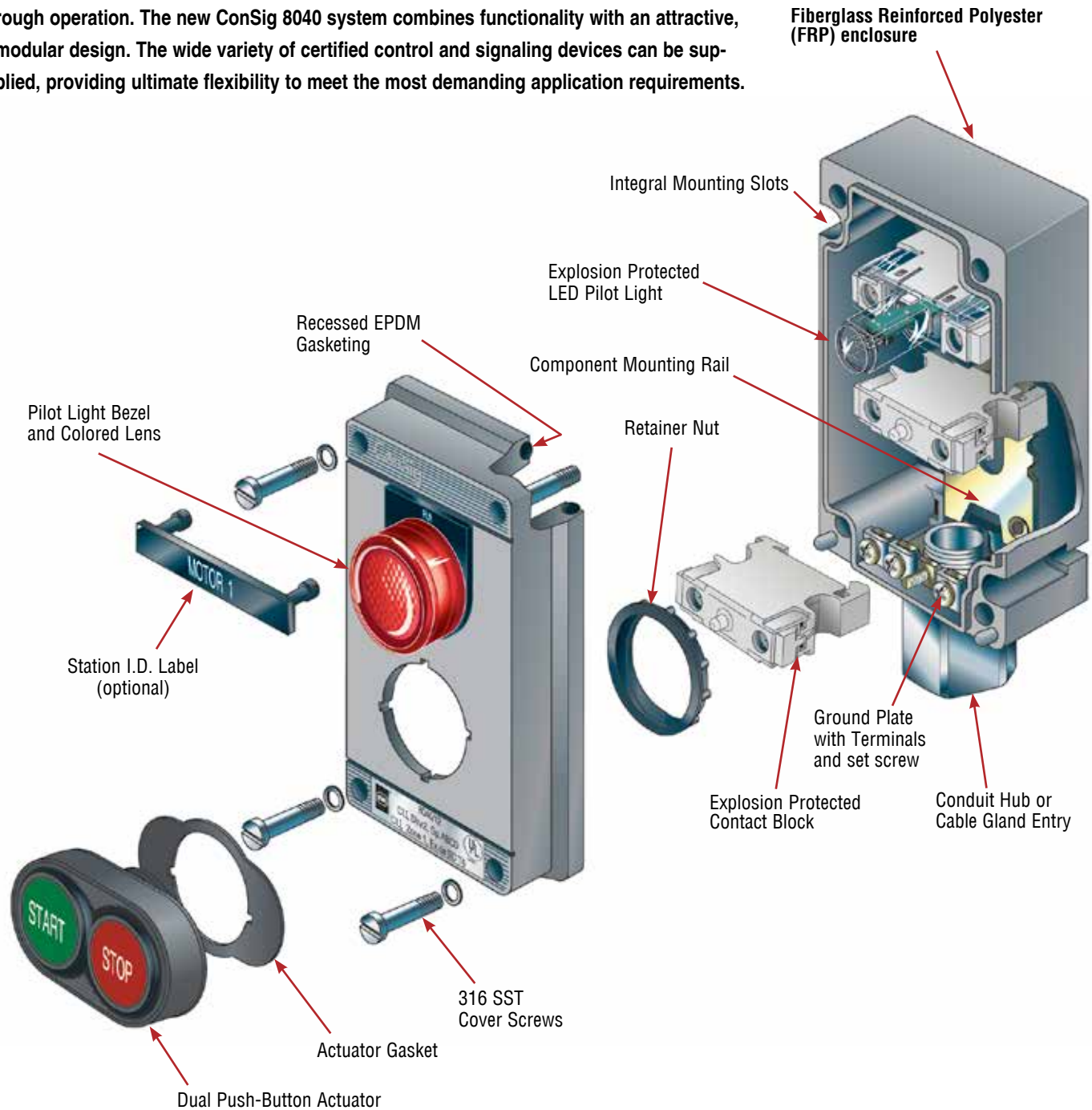
STAHL

### 8040 Features:

- Attractive space efficient design
- A variety of enclosure sizes made of Fiberglass Reinforced Polyester (FRP)
- Snap-on mounting of individual components
- High illumination LED pilot light from 12 V to 254 V, AC or DC with an operating life time over 100,000 hours
- A variety of pushbuttons, control switches and illuminated pushbuttons
- Durable EPDM enclosure gaskets are concealed to protect from damage or premature aging by UV light and chemicals
- Fluorsilicate gasket in standard pushbuttons and actuators is suitable for a wide temperature range
- Globally Certified, one part number provides Class I, Division 2, ATEX and IECEx Zone 1 certifications
- Also available in EAC, INMETRO, KGS, and others

# ConSig "PUTS YOU IN CONTROL"

R. STAHL is setting new standards for function, design and technology with ConSig 8040 Series of control and signaling stations. Designed for complex industrial conditions and rough operation. The new ConSig 8040 system combines functionality with an attractive, modular design. The wide variety of certified control and signaling devices can be supplied, providing ultimate flexibility to meet the most demanding application requirements.





# ConSig 8040 Series

## CONTROL & SIGNALING STATIONS

The ConSig 8040 Series is a new generation of control and signaling stations utilizing explosion protected components with non-metallic enclosures for the ultimate flexibility, safety and durability in Hazardous (Classified) and Hostile (Corrosive) Locations.

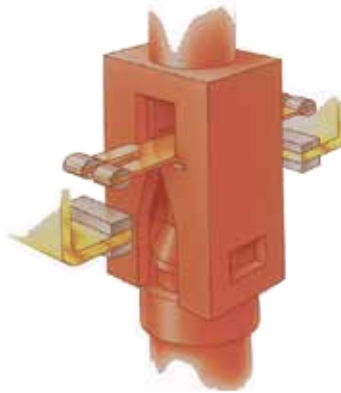
This control and signaling station utilizes snap-on mounted components making field assembly quick and easy. Components include contact blocks with a variety of actuator options, LED pilot lights in all of the standard colors and voltages from 12 V to 254 V AC / DC, 2-pole and 4-pole control switches configurations.

### Enclosures

ConSig 8040 Series can be specified as one, two or three gang configurations and is made of Fiberglass Reinforced Polyester (FRP). Enclosure gasketing is durable EPDM which is concealed to protect it from premature aging by UV light and chemical elements. Components snap-on to the rail provided.

### Contact Blocks

The contact system incorporates 8082 Series contact blocks which are individually explosion-protected single-pole units and are available as 1 N.O. or 1 N.C. The contact blocks incorporate a parallel bridge contact (H-contact) designed to ensure utmost contact reliability even with very low control voltages and currents. Any combination can be installed to provide a complete range of control configurations. Standard actuator styles include a double pushbutton and illuminated pushbutton.



### LED Pilot Lights

ConSig 8040 Series introduces an extraordinary compact LED pilot light unit. The 8010 Series pilot light incorporates electronics which allow the same unit to operate at any voltage from 12 to 254 V AC / DC. High output LEDs are used to provide superior illumination levels which are visible in direct sunlight from the front or side. The bezel is clear and the snap-on lenses are added in the colors red, green, amber, white and blue.

### Control Switches

8008 Series control switches offer over 300 different switching configurations. They are available as 2-pole and 4-pole units incorporating maintained or spring return action. The control switch is for quick and easy snap-on mounting. Three styles of handles, with or without padlocking provision can be used in conjunction with the switches.

### Illuminated Pushbuttons

Illuminated pushbuttons make it possible to have control and signaling functions in the space of one. This is achieved by combining the 8082 Series Contact Blocks and 8010 Series LED Pilot Lights under a special illuminated pushbutton actuator which is spring return with a clear bezel and five colored snap-on lenses in red, green, amber, white and blue.



## CONTROLS



### CLASSIFICATIONS

NEC- Class I, Zones 1 & 2  
AEx db eb IIC T6 Gb  
Class I, Division 2, Groups A,B,C,D  
Class II, Division 2, Groups F,G  
Class III  
Enclosure Type 3,4 & 4X; IP66

CEC- Class I, Zones 1 & 2  
Ex db eb IIC T6 Gb  
Class I, Division 2, Groups A,B,C,D  
Class II, Division 2, Groups F,G  
Class III  
ENCLOSURES 3, 4 & 4X; IP66

 FILE No. E182378

### ATEX

 II 2 G Ex db eb IIC T6 Gb  
II 2 D Ex tb IIIC T80°C - IP66

### IECEX

Ex db eb IIC T6 Gb  
Ex tb IIIC T80°C - IP66

### Ambient Temperature Range:


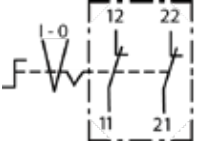
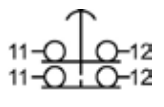

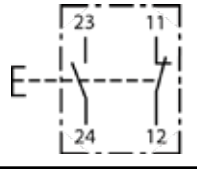
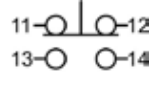

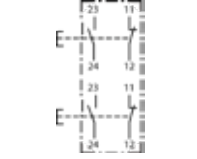
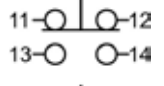
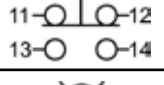

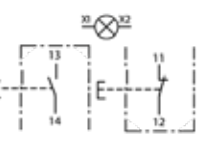
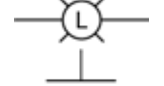
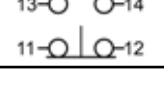

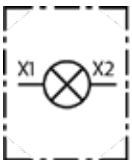
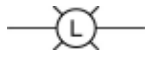

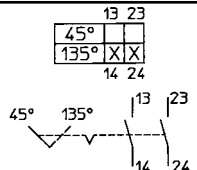
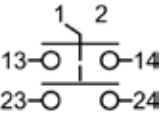

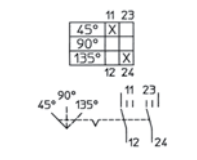
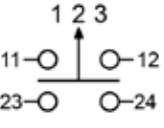

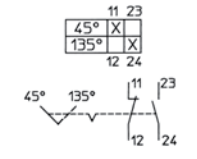
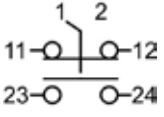

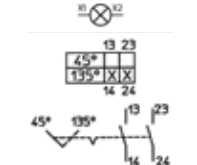
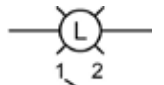
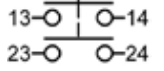
+60°C (+140°F) Max.  
-50°C (-58°F) Min.

### Special Ambient Temperature Range:\*

\*Consult Factory


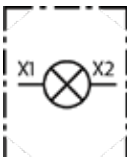


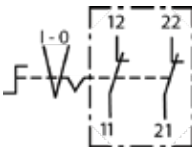


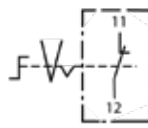


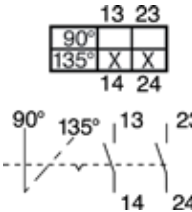
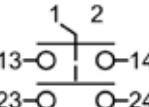

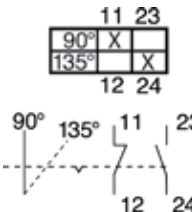
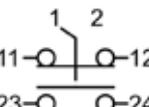

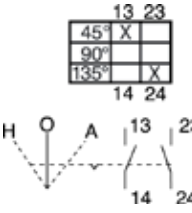
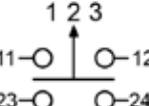


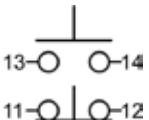


**Ordering Information**

	Function		Contact Symbols		Catalog Number	Article / SAP Number
			IEC	NEMA		
	"E-STOP" RED JUMBO Mushroom Maintained 2 N.C.				8040/124-C150	<b>287011</b>
	"START" Momentary Green Pushbutton 1 N.O. / 1 N.C.				8040/124-U011	<b>287018</b>
	"START" Momentary Green Pushbutton 1 N.O. / 1 N.C.	"STOP" Momentary Red Pushbutton 1 N.O. / 1 N.C.		 	8040/224-U011-U012	<b>287013</b>
	"PILOT LIGHT" RED LED 12 V - 254 V AC / DC	"START-STOP" Momentary Double PB 1 N.O. / 1 N.C.		 	8040/224-PLR0-U2312	<b>287014</b>
	"PILOT LIGHT" RED LED 12 V - 254 V AC / DC				8040/124-PLR0	<b>287009</b>
	"OFF - ON" Maintained Control Switch 2-Pos. / 2-Pole 10 amps				8040/124-L021	<b>287028</b>
	"H - O - A" Maintained Control Switch 3-Pos. / 2-Pole 10 amps				8040/124-L273	<b>287029</b>
	"LOCAL REMOTE" Maintained Control Switch 2-Pos. / 10 amps				8040/124-L164	<b>287030</b>
	"PILOT LIGHT" RED LED 12 V - 254 V AC / DC	"OFF-ON" Maintained Control Switch 2-Pos. / 2-Pole 10 amps		 	8040/224-PLR0-N021	<b>287012</b>

## PRE-CONFIGURED CONTROL STATIONS

### Ordering Information

	Function	Contact Symbols		Catalog Number	Article / SAP Number	
		IEC	NEMA			
	"PILOT LIGHT" GREEN LED 12 V - 254 V AC / DC			8040/114-PLG0	287010	
	"E-STOP" RED SMALL Mushroom Maintained 2 N.C.			8040/114-C100-LK03	290554	
	"E-STOP" RED JUMBO Mushroom Maintained 1 N.C.			8040/114-Y150	287005	
	"OFF - ON" Maintained Selector Switch 2-Pos. / 10 amps			8040/114-02MN1	287007	
	"LOCAL REMOTE" Maintained Selector Switch 2-Pos. / 10 amps			8040/114-U2MN4	287023	
	"H-O-A" Maintained Selector Switch 3-Pos. / 10 amps			8040/114-03MMN3	287024	
	"START" Momentary Double PB 1 N.O.	"STOP" Momentary Double PB 1 N.C.			8040/114-U2312	287008



### CLASSIFICATIONS

**NEC-** Class I, Zones 1 & 2  
 AEx db eb IIC T6 Gb  
 Class I, Division 2, Groups A,B,C,D  
 Class II, Division 2, Groups F,G  
 Class III  
 Enclosure Type 3,4 & 4X; IP66

**CEC-** Class I, Zones 1 & 2  
 Ex db eb IIC T6 Gb  
 Class I, Division 2, Groups A,B,C,D  
 Class II, Division 2, Groups F,G  
 Class III  
 ENCLOSURES 3, 4 & 4X; IP66

FILE No. E182378

**ATEX**  
 II 2 G Ex db eb IIC T6 Gb  
 II 2 D Ex tb IIIC T80°C - IP66

**IECEx**  
 Ex db eb IIC T6 Gb  
 Ex tb IIIC T80°C - IP66

**Ambient Temperature Range:**  
 +60°C (+140°F) Max.  
 -50°C (-58°F) Min.

**Special Ambient Temperature Range:\***  
 \*Consult Factory

FRP with EPDM recessed gasketing.

### FEATURES

The ConSig 8040 Series of control & signaling stations with its many enclosure sizes and components is uniquely flexible. If the preconfigured control stations do not meet your specific application needs, use the custom configuration logic tables on the right.

### How to use configuration logic tables:

Fill in the blanks from left to right in the striped fields located on the top of pages F19 and F20 using the information stated below in the individual fields.

**Step 1:** Select enclosure size

**Step 2:** Select entry or entries

**Step 3:** Select the device mounted to the cover as well as the device mounted into the back box.

**Step 4:** Repeat step 3 when configuring a two-gang station.

**Step 5:** Repeat step 3 when configuring a three-gang station.

### CUSTOM CONFIGURATION LOGIC

### Start Here

ConSig	Enclosure	
Control Station 8040 /	Enclosure Size ( ____ )	Entry or Entries ( ____ )
	<p><b>11</b> 1-device Compact</p>	<p><b>Entry Type:</b></p> <p><b>Conduit Hub</b>  <b>0</b> = 1/2" Hub Top Feed  <b>1</b> = 1/2" Hub Bottom Feed  <b>2</b> = 1/2" Hub Feed-Thru  <b>3</b> = 3/4" Hub Top Feed  <b>4</b> = 3/4" Hub Bottom Feed  <b>5</b> = 3/4" Hub Feed-Thru</p> <p><b>Compression Gland - FOR IECEx / ATEX only Non-Metallic Cable Glands</b>  <b>J</b> = M20 Gland Bottom Feed  <b>K</b> = M20 Gland Feed-Through  <b>6</b> = M25 Gland Top Feed  <b>7</b> = M25 Gland Bottom Feed  <b>8</b> = M25 Gland Feed-Thru  <b>9</b> = Special (specify)*                      * For additional options regarding these entries see the Accessories Section in the catalog.</p> <p><b>Threaded Opening - In Internal Ground Plate</b>  <b>D</b> = 3/4" NPT plate Top Feed  <b>E</b> = 3/4" NPT plate Bottom Feed  <b>F</b> = 3/4" NPT plate Feed-Through  <b>H</b> = 3/4" NPT plug Feed-Through  <b>L</b> = M20 Plate Bottom Feed  <b>M</b> = M25 Plate Bottom Feed</p>
	<p><b>12</b> 1-device Expanded</p>	
	<p><b>22</b> 2-device</p>	
	<p><b>64</b> 2-device Expanded</p>	
	<p><b>33</b> 3-device Pilot lights and push-buttons only</p>	
	<p><b>73</b> One 4-Pole switch Deep</p>	
	<p><b>84</b> Two 4-Pole switch Deep</p>	

## CUSTOM CONFIGURATION LOGIC

Device Specification (1, 2 or 3 devices described from top to bottom)		
First or only position ( )	Second position ( )	Third position ( )

Pushbuttons		
<b>Contact type</b> <b>X</b> = 1 N.O. <b>Y</b> = 1 N.C. <b>U</b> = 1 N.O. / 1 N.C. <b>O</b> = 2 N.O. <b>C</b> = 2 N.C. <b>M</b> = 2 N.C. / 1 N.O. <b>W</b> = 1 N.C. / 2 N.O. <b>T</b> = 3 N.C. <b>R</b> = 3 N.O. <b>D*</b> = 2 N.O. / 2 N.C. <small>*For four contact block arrangements please confirm layout with the factory.</small>	<b>Actuator type</b> <b>01</b> = Standard Momentary <b>03</b> = Black Momentary Small Mushroom <b>09</b> = Keyed E-STOP Red Mushroom Maintained <b>10</b> = E-STOP Red Small Mushroom Maintained <b>12</b> = Black Small Mushroom Maintained <b>15</b> = E-STOP Red Jumbo Mushroom Maintained <b>23</b> = Double Pushbutton Momentary <b>P733</b> = Device Close-up Plug	<b>Legend</b> 0 = none 1 = START 2 = STOP 3 = ON 4 = OFF 5 = RUN 6 = RESET 7 = OPEN 8 = CLOSE 9 = special (specify)

Selector Switches			
<b>X</b> = 1 N.O. <b>Y</b> = 1 N.C. <b>U</b> = 1 N.O. / 1 N.C. <b>O</b> = 2 N.O. <b>C</b> = 2 N.C.	<b>2SK</b> <b>2MK</b> <b>3SSK</b> <b>3MMK</b> <b>3SMK</b> <b>3MSK</b>	<b>2SN</b> <b>2MN</b> <b>3SSN</b> <b>3MMN</b> <b>3SMN</b> <b>3MSN</b>	<b>2SL</b> <b>2ML</b> <b>3SSL</b> <b>3MML</b> <b>3SML</b> <b>3MSL</b>

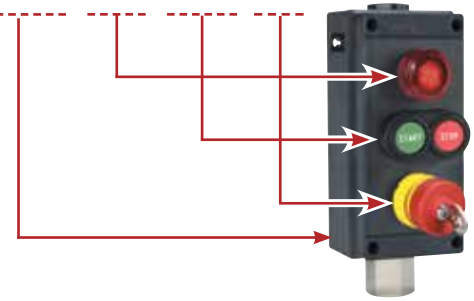
**Note:**  
For Actuator Descriptions (see page F24)

Pilot Lights		
<b>PL</b>	<b>Color</b> <b>A</b> = amber <b>B</b> = blue <b>G</b> = green <b>R</b> = red <b>W</b> = white	<b>Legend</b> Same # as pushbutton

Control Switches		
<b>Actuator type</b> <b>N</b> = Non-lockable <b>S</b> = Small-lockable <b>L</b> = Large lockable	<b>Switch arrangements 2-pole</b> <b>02</b> = 2-pos. Maintained (OFF-ON) <b>05</b> = 2-pos. Maintained (ON-OFF) <b>16</b> = 2-pos. Maintained (LOCAL-REMOTE) <b>27</b> = 3-pos. Maintained (HAND-O-AUTO) <b>38</b> = 3-pos. Maint., Spring Return from Right (OFF-RUN-START) <b>Switch arrangements 4-pole</b> <b>102</b> = 2-pos. OFF-ON <b>106</b> = 2-pos. LOCAL-REMOTE <b>119</b> = 3-pos. HOA <small>only for deep enclosures 73 &amp; 84</small> For more switching arrangements see pgs. F27 and F28.	<b>Legend</b> 0 = none 1 = OFF-ON 2 = ON-OFF 3 = HAND-O-AUTO 4 = LOCAL-REMOTE 5 = STOP-RUN-START 6 = O - I 7 = blank one line text 8 = blank two lines text 9 = special (specify)

Illuminated Pushbuttons			
<b>Spring return</b> <b>SR</b> <b>SG</b> <b>SA</b> <b>SW</b> <b>SB</b>	<b>Colors</b> red green amber white blue	<b>Contact type</b> <b>X</b> = 1 N.O. <b>Y</b> = 1 N.C. <b>U</b> = 1 N.O. / 1 N.C. <b>O</b> = 2 N.O. <b>C</b> = 2 N.C.	<b>Legend</b> Same # as pushbuttons

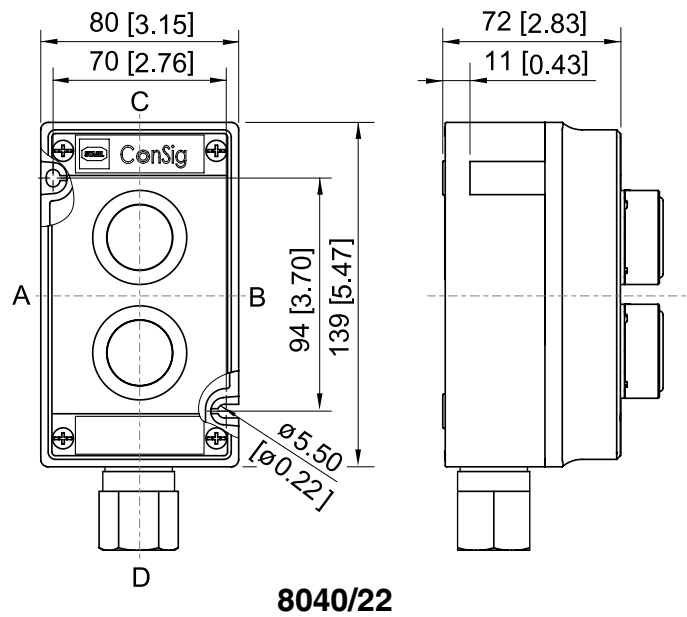
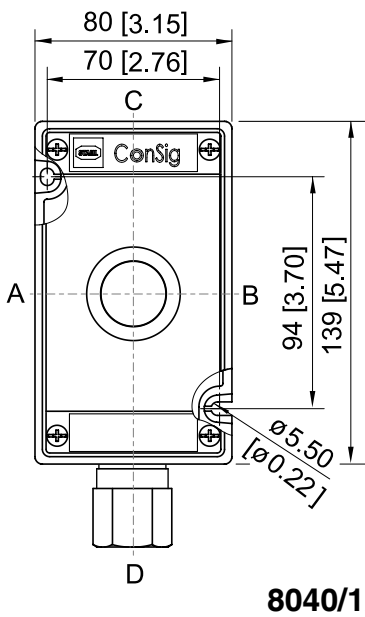
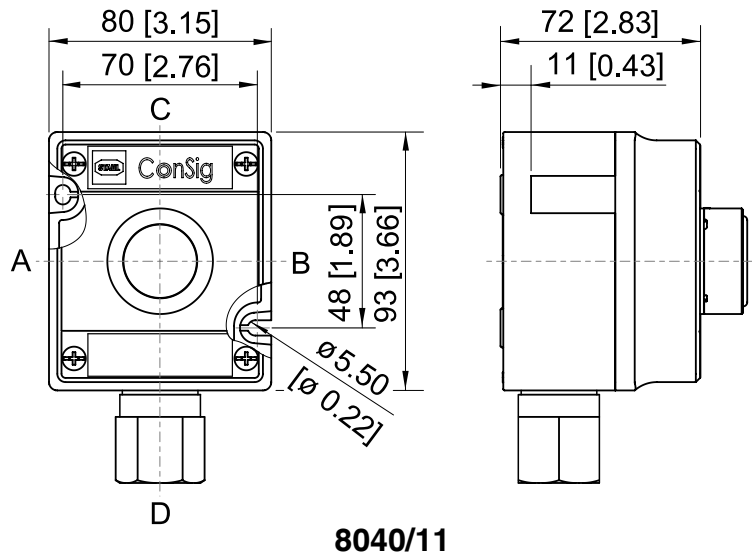
**Example**  
8040/334 - PLR0 - U2312 - Y090



Pushbutton Lockouts/Guards
<b>LK01</b> = Momentary Lockout (01)
<b>LK02</b> = Momentary Exclusion (01)
<b>LK03</b> = Small Yellow Mushroom Guard (09, 10 & 12)
<b>LK10</b> = Small Mushroom Lockout (10 & 12)
<b>LK11</b> = Small Mushroom Pin & Chain Lockout (10 & 12)
<b>LK20</b> = Small Mushroom Exclusion Lockout (03, 10 & 12)
<b>LK21</b> = Momentary Pushbutton (01) exclusion

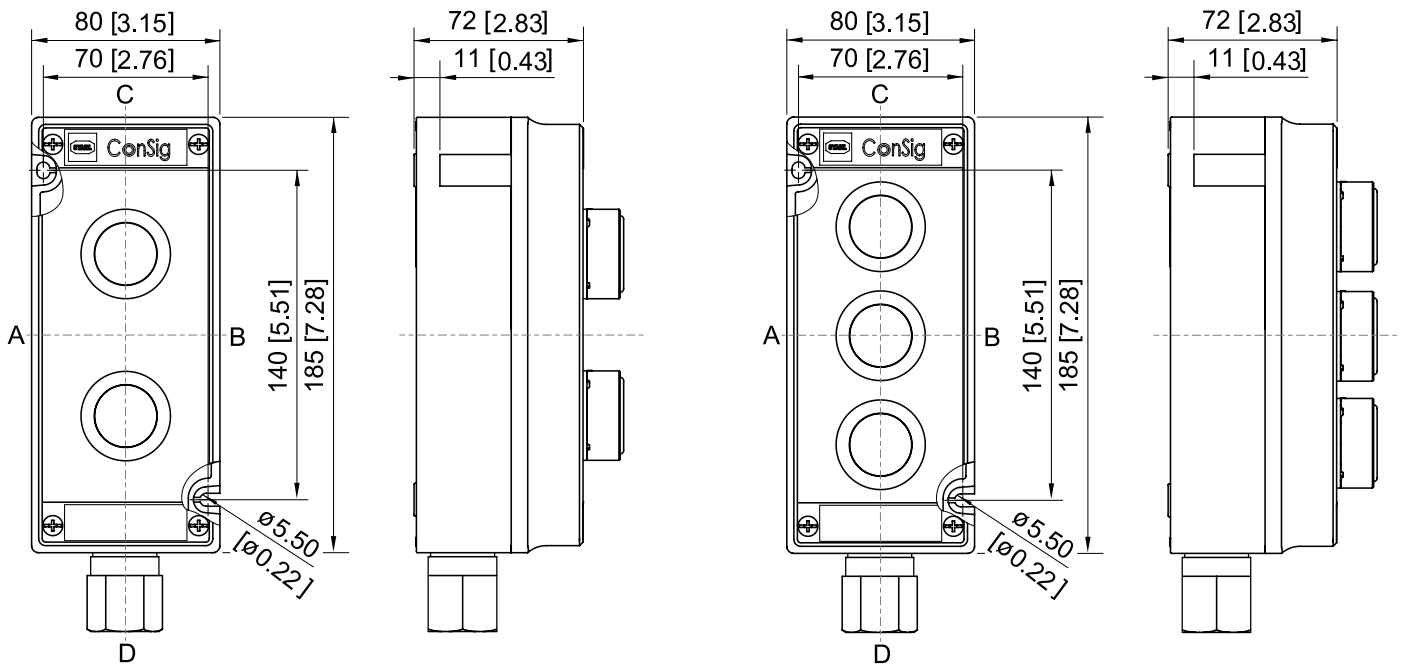
DIMENSIONS

*Dimensions in mm [inches]*



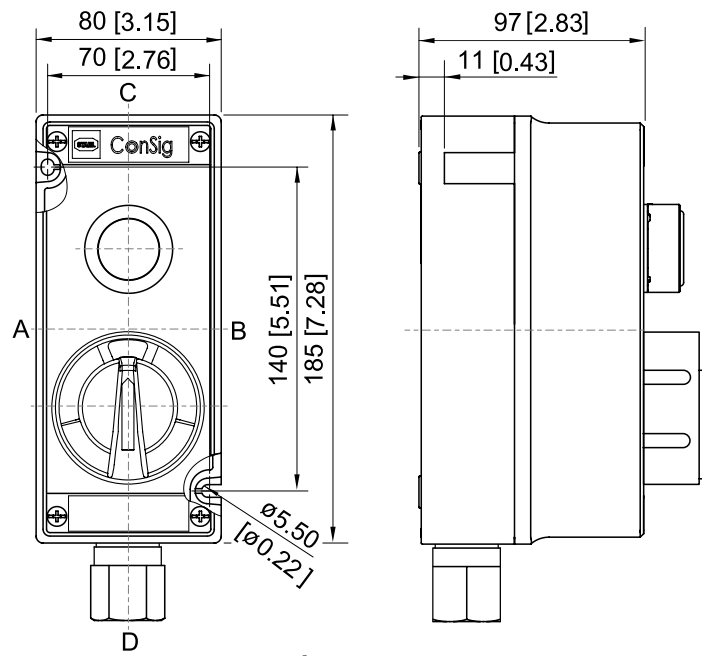
## DIMENSIONS

### Dimensions in mm [inches]



**8040/64**

**8040/33**



**8040/73,84**



**APPROVALS**

**UL** LISTED US FILE No. E182378 (NEC & CEC)

**PTB 13 ATEX 1019 U**

**IECEX**  
IECEX PTB 13.0047U

STAHL offers a large variety of pushbutton actuator versions including momentary and maintained action in standard, mushroom, keyed and selector switch styles. A new double pushbutton actuator combines two control functions in the space of one with the same size button.



PUSH BUTTON ACTUATORS

**Ordering Information**

Actuator Description	Catalog Number (Actuator Kit ONLY)	Article/SAP Number	Actuator Code	Assembly Code	
				Contact Block(s)	Legend Disk
<b>Standard Momentary Pushbutton</b> 1.5" (38 mm) O.D. Legend disk needs to be specified.	8602C3-001-S	<b>223692</b>	01 __		0 = none
<b>Double Momentary Pushbutton</b> 1.5" (38 mm) O.D. Legend disk needs to be specified.	8602C3-023-S	<b>244639</b>	23 __		1 = START
<b>Black Mushroom Pushbutton</b> 1.5" (38 mm) O.D. Momentary action. Legend disk needs to be specified.	8602C3-003-S	<b>244564</b>	03 __		2 = STOP
<b>E-Stop Red Mushroom Pushbutton</b> 1.5" (38 mm) O.D. Maintained action. Turn-to-Release. Yellow arrow sticker supplied.	8602C3-010-S	<b>223698</b>	10 __		3 = ON
<b>Maintained Black Mushroom Pushbutton</b> 1.5" (38 mm) O.D. Maintained action. Turn-to-Release.	8602C3-012-S	<b>223700</b>	12 __		4 = OFF
<b>E-Stop Jumbo Red Mushroom Pushbutton</b> 2.16" (55 mm) O.D. Maintained action. Turn-to-Release. Yellow arrow sticker supplied.	8602C3-015-S	<b>244637</b>	15 __		5 = RUN
<b>E-Stop Keyed Red Mushroom Pushbutton</b> 1.5" (38 mm) O.D. Maintained action. Key-to-Release from maintained position. Yellow arrow sticker supplied.	8602C3-009-S MS1	<b>223694</b>	09 __		6 = RESET
				7 = OPEN	
				8 = CLOSE	
				9 = special (state text w/order)	








① Only possible under double pushbutton 23 in enclosures 12 & 64 and confirm layout with factory.





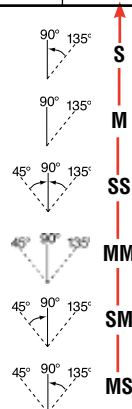
## SELECTOR SWITCH ACTUATORS

### Ordering Information

Actuator Description	Catalog Number (Actuator Kit ONLY)	Article/SAP Number	Actuator Code	Assembly Code	
				Contact Block(s)	Legend Disk
 <b>Key Operated Switch</b> 2 Positions	8602C3-008-S-M01-02-MS01	244574	__2SK__ *	 X = 1 x N.O.	0 = none
			__2MK__		1 = OFF-ON
 <b>Key Operated Switch</b> 3 Positions	8602C3-008-S-M03-03-MS01	244633	__3SSK__ *	Y = 1 x N.C.	2 = ON-OFF
			__3MMK__		3 = HAND-OFF-AUTO
 <b>Rotary Actuator</b> 2 Positions Non-lockable	8602C3-726-S-M01-02-E08	244647	__2SN__	U = 1 N.O. + 1 N.C.	4 = LOCAL-REMOTE
			__2MN__		5 = STOP-RUN-START
 <b>Rotary Actuator</b> 3 Positions Non-lockable	8602C3-726-S-M03-03-E03	244649	__3SSN__	O = 2 x N.O.	6 = 0 - 1
			__3MMN__		7 = blank, one-line text
 <b>Rotary Actuator</b> 2 Positions Padlockable in center	8602C3-727-S-M01-02-E08	244651	__2SL__	C = 2 x N.C.	8 = blank, two-lines text
			__2ML__		9 = special (specify)
 <b>Rotary Actuator</b> 3 Positions Padlockable in center	8602C3-727-S-M03-03-E03	244653	__3SSL__		
			__3MML__		
			__3SML__		
			__3MSL__		

Replacement actuators include parts to convert maintained positions into spring return and to convert key removable positions into non-removable positions.

**K** - Keyed  
**N** - Non-lockable  
**L** - Padlockable



\* Standard:  
 Key removable in all maintained positions.  
 Key not removable in all spring return positions.



### APPROVALS

UL LISTED FILE No. E182378 (NEC & CEC)

CEX LISTED PTB 13 ATEX 1019 U

IECEX

IECEX PTB 13.0047U





### APPROVALS

FILE No. E182378 (NEC & CEC)

PTB 00 ATEX 1031U

IECEX  
IECEX PTB 06.0014 U

The contact block Series 8082 are available in two versions.

- 1 N.O.
- 1 N.C.

Each block is made of polyamide and designed to contain an internal arc.

The terminals are designed to increased safety requirements

## 8082 CONTACT BLOCK

### Ordering Information

Description	Contact Symbol		Individual Component Catalog Number	Article / SAP Number
	IEC	NEMA		
Single contact block, 1 N.C.			8082/1-1-00	132636
Single contact block, 1 N.O.			8082/1-2-00	132640



### Technical Data

	NEC/CEC	IEC
Rated Voltage	600 V AC	500 V AC
Continuous Current	10 A	6 A
Terminals	12 AWG	2.5 mm <sup>2</sup>
Mechanical Life	≥ 10 <sup>6</sup> operations	
Electrical Life	≥ 10 <sup>6</sup> operations	
Housing Material	polyamide	
Contact Material	silver plated	
Lowest Energy	50 mA @ 12 V AC / DC*	

\* For lower energy use gold-plated contacts, available on request.

### APPROVALS

FILE No. E81680 (NEC & CEC)

PTB 01 ATEX 1160 U

IECEX PTB 06.0016 U

The rail mounted 8010 Series LED Pilot Light accommodates any voltage from 12 to 254 V AC or DC in one compact unit.

High intensity LED's provide superior illumination levels that are easily viewable in direct sunlight from the front or side.

Long life & low temperature make these ideal for hazardous location applications.

## 8010 LED Pilot Light

### Ordering Information

	Colors	Symbols		Individual Component Catalog Number	Article / SAP Number	Assembly Code
		IEC	NEMA			
Pilot Light	white			8010/2-01	237971	Included in ordering code below.
Pilot Light for I.S. Circuits 10.8-28 V AC / DC				8010/3-02	237972	
Bezel With Colored Lens	red			8602C3-054-B-C06	223122	PLR
	amber					PLA
	green					PLG
	white					PLW
	blue					PLB

See page F24 for legend disk ordering information.



### Technical Data

	NEC/CEC/IEC
Rated Voltage	12 V -10% . . . 254 V +6%
Frequency	DC . . . 60 Hz
Rated Current	max. 15 mA
Rated Power	max. 15 mW
Electrical Life	100,000 hrs (11yrs)
Colors	red, amber, green, white, blue
Terminals	2.5 mm <sup>2</sup> (12 AWG)
Housing Material	polyamide

## 8082/8010 ILLUMINATED PUSHBUTTON

### Ordering Information

Contact Arrangement	Contact Symbol		Color	Article / SAP Number	Assembly Code
	IEC	NEMA			
1 N.C. + 1 N.O.			N/A	For individual replacement of contact block & pilot light components, please refer to page F25.	U
2 N.C.			N/A		C
2 N.O.			N/A		O
<b>Actuator</b>					
Spring return	Includes red, green, amber, white and blue colored lens			8602C3-735-S-C06	244655
					SR SG SA SW SB

### Technical Data

8010 Pilot Light	NEC/CEC/IEC	
Rated Voltage	12 V-10% . . . 254 V+6%	
Frequency	DC . . . 60 Hz.	
Rated Current	max. 15 mA	
Rated Power	max. 15 mW	
Electrical Life	100,000 hrs. (11 yrs.)	
Colors	red, green, amber, white, blue	
Terminals	12 AWG (2.5 mm <sup>2</sup> )	
Housing Material	polyamide	
8082 Contact Block	NEC/CEC	IEC
Rated Voltage	600 V AC	500 V AC
Continuous Current	10 A	6 A
Lowest Energy	50 mA @ 12 V AC / DC*	

\* For lower energy use gold-plated contacts, available on request.



### APPROVALS

FILE No. E182378 (NEC & CEC)

PTB 00 ATEX 1031U  
PTB 01 ATEX 1160 U  
PTB 13 ATEX 1019 U

### IECEX

IECEX PTB 06.0011 U  
IECEX PTB 06.0016 U  
IECEX PTB 13.0047U

Series 8082/8010 Illuminated Pushbuttons have contact blocks and LED pilot lights combined under one actuator. Choose one of the possible three contact blocks: 2 N.C., 2 N.O., or 1 N.O. / 1 N.C. By wiring the individual components appropriately, different switching and indicating functions can be achieved.

The lamps may be operated at any voltage between 12 V and 254 V AC / DC. They are available in red, green, amber, white and blue.



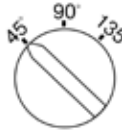
8008 CONTROL SWITCHES

**Ordering Information**

Selector switch specification example: 8008/2-38

**How to read the diagram:**

First we note that there are three positions to which the handle can be turned: 45° left position, 90° center position and 135° right position.



The first contact, designated by terminal numbers 13-14 is open when the handle is in the left position (45°) [blank square], it is also open in the center position (90°) [blank square], and is closed in the right position (135°) [square marked with an X].

The second contact, designated by terminal numbers 23-24 is open in the left position (45°) [blank square] and is closed in the center position (90°) [square marked with an X]. At the right position (135°) the contact remains closed [square marked with an X].

The terminal numbers are marked on the switch block.

See chart below for a selection of available contact configurations. For other contact configurations, consult factory.

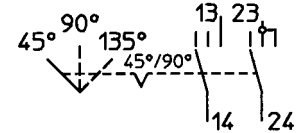
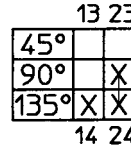
**Technical Data for 2- and 4-Pole**

	NEC/CEC	IEC
Rated Voltage	600 V	690 VAC
Rated Current	10 A	16 A
Mechanical Life	≥ 10 <sup>6</sup> Operations	
Electrical Life	≥ 10 <sup>6</sup> Operations	
Terminals	12 AWG	2.5 mm <sup>2</sup>

Make Break Diagram

Contact Arrangement

Assembly Code 038



Note: The above denoted 45°/90° at the notch indicates that in these two positions the switch is maintained, and the 135° position is spring return to the 90° center position. The contacts are drawn in the 45° position. This is indicated by the solid 45° line.

**Ordering Information, 2-Pole Switches**

Make Break Diagram	Contact Arrangements	Individual Component Catalog Number	Article / SAP Number	Assembly Code
		8008/2-002	128248	02
		8008/2-005	128281	05
		8008/2-016	128360	16
		8008/2-027	128418	27
		8008/2-034	128445	34
		8008/2-038	128462	38
		8008/2-040	128471	40
		8008/2-051	128516	51

**APPROVALS**

UL LISTED FILE No. E182378 (NEC & CEC)

PTB 00 ATEX 1111U

IECEX IECEx PTB 06.0010 U

The 8008 Series is a 2-pole or a 4-pole control switch which is rail mounted via a supplied adapter plate. Control switch bodies are made from polyester and designed to contain the pressure generated by an internal explosion. The switches are available in many different contact configurations. The most common 2-pole switching arrangements are illustrated on this page. The 4-pole switching arrangements are illustrated on page F28. For more configurations, consult factory.



Insert Actuator Code  
 L-Large Lockable  
 S-Small Lockable  
 N-Small Non-Locking

(See Switch handle ordering table on next page.)



## 8008 CONTROL SWITCHES, 4-POLE

### Ordering Information, 4-Pole Switches

Make Break Diagram	Contact Arrangements	Individual Component Catalog Number	Article / SAP Number	Assembly Code																				
<table border="1"> <tr><td>45°</td><td></td><td></td><td></td><td></td></tr> <tr><td>135°</td><td>X</td><td>X</td><td>X</td><td>X</td></tr> </table>	45°					135°	X	X	X	X		8008/2-102	128250	102										
45°																								
135°	X	X	X	X																				
<table border="1"> <tr><td>45°</td><td></td><td></td><td>X</td><td>X</td></tr> <tr><td>135°</td><td>X</td><td>X</td><td></td><td></td></tr> </table>	45°			X	X	135°	X	X				8008/2-106	128289	106										
45°			X	X																				
135°	X	X																						
<table border="1"> <tr><td>45°</td><td></td><td></td><td>X</td><td>X</td></tr> <tr><td>135°</td><td>X</td><td>X</td><td></td><td></td></tr> </table>	45°			X	X	135°	X	X				8008/2-109	128316	109										
45°			X	X																				
135°	X	X																						
<table border="1"> <tr><td>0°</td><td>X</td><td></td><td></td><td></td></tr> <tr><td>45°</td><td></td><td>X</td><td></td><td></td></tr> <tr><td>90°</td><td></td><td></td><td>X</td><td></td></tr> <tr><td>135°</td><td></td><td></td><td></td><td>X</td></tr> </table>	0°	X				45°		X			90°			X		135°				X		8008/2-110	128323	110
0°	X																							
45°		X																						
90°			X																					
135°				X																				
<table border="1"> <tr><td>45°</td><td></td><td>X</td><td></td><td></td></tr> <tr><td>90°</td><td>X</td><td></td><td></td><td></td></tr> <tr><td>135°</td><td></td><td></td><td>X</td><td>X</td></tr> </table>	45°		X			90°	X				135°			X	X		8008/2-113	128346	113					
45°		X																						
90°	X																							
135°			X	X																				
<table border="1"> <tr><td>45°</td><td>X</td><td>X</td><td></td><td></td></tr> <tr><td>90°</td><td></td><td></td><td>X</td><td>X</td></tr> <tr><td>135°</td><td>X</td><td>X</td><td></td><td></td></tr> </table>	45°	X	X			90°			X	X	135°	X	X				8008/2-119	128379	119					
45°	X	X																						
90°			X	X																				
135°	X	X																						
<table border="1"> <tr><td>45°</td><td>X</td><td>X</td><td></td><td></td></tr> <tr><td>90°</td><td></td><td></td><td>X</td><td>X</td></tr> <tr><td>135°</td><td></td><td>X</td><td>X</td><td></td></tr> </table>	45°	X	X			90°			X	X	135°		X	X			8008/2-127	128420	127					
45°	X	X																						
90°			X	X																				
135°		X	X																					
<table border="1"> <tr><td>45°</td><td>X</td><td></td><td></td><td></td></tr> <tr><td>90°</td><td></td><td>X</td><td>X</td><td></td></tr> <tr><td>135°</td><td></td><td>X</td><td>X</td><td></td></tr> </table>	45°	X				90°		X	X		135°		X	X			8008/2-139	128468	139					
45°	X																							
90°		X	X																					
135°		X	X																					
<table border="1"> <tr><td>0°</td><td></td><td></td><td>X</td><td>X</td></tr> <tr><td>45°</td><td></td><td>X</td><td></td><td></td></tr> <tr><td>90°</td><td></td><td></td><td>X</td><td></td></tr> <tr><td>135°</td><td>X</td><td>X</td><td></td><td></td></tr> </table>	0°			X	X	45°		X			90°			X		135°	X	X				8008/2-148	128505	148
0°			X	X																				
45°		X																						
90°			X																					
135°	X	X																						

Insert Actuator Code  
 L - Large Lockable  
 S - Small Lockable  
 N - Small Non-Locking

### Control Switch Handles

Description	Type	Individual Component Catalog Number	Article / SAP Number	Assembly Code
Small Rotary Actuator	not lockable	8602C3-732-S-90G-E08	264002	N
	Lockable, One Position - 90°	8602C3-734-S-90H-E08	227360	S
	Lockable, One Position - 45°	8602C3-734-S-45H-E08	227392	
Large Rotary Actuator*	Lockable, One Position - 90°	8602C3-731-S-90X-E08	227224	L
	Lockable, One Position - 45°	8602C3-731-S-45X-E08	227226	

\* Can only be installed in enclosure codes 12 and 73  
 (See page F20 for legend disk ordering information.)



#### APPROVALS

UL LISTED FILE No. E182378 (NEC & CEC)

EX PTB 00 ATEX 1111U

IECEX  
 IECEX PTB 06.0010 U

The most common 4-pole switching arrangements are illustrated on this page. For more configurations, consult factory.

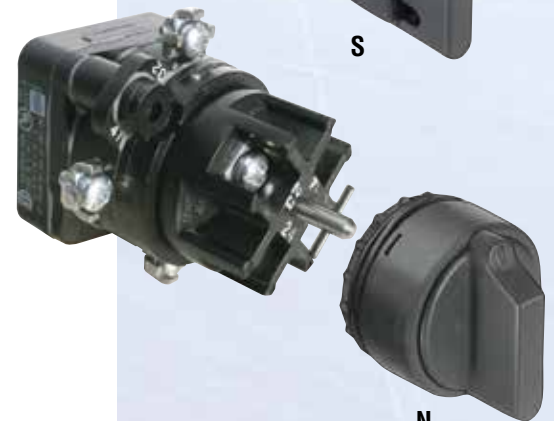
Since the 4-pole switches are deeper than the 2-pole, they only can be mounted into deep enclosures with the assembly codes 73 and 84.



L



S



N



Lined area for notes, consisting of multiple horizontal lines.



# LOOK FOR OUR OTHER SOLUTIONS



**FOR MORE INFORMATION CONTACT YOUR  
R. STAHL REPRESENTATIVE**



**R. STAHL INC.**  
13259 N. Promenade Blvd  
Stafford, TX 77477  
USA  
+1 800 782 4357  
rstahl.com

**R. STAHL LTD.**  
8925-51 Avenue NW, Unit 303  
Edmonton, AB T6E5J3  
Canada  
+1 877 416 4302  
rstahl.com